



Size 1/2"



Size 3/4" and 1"

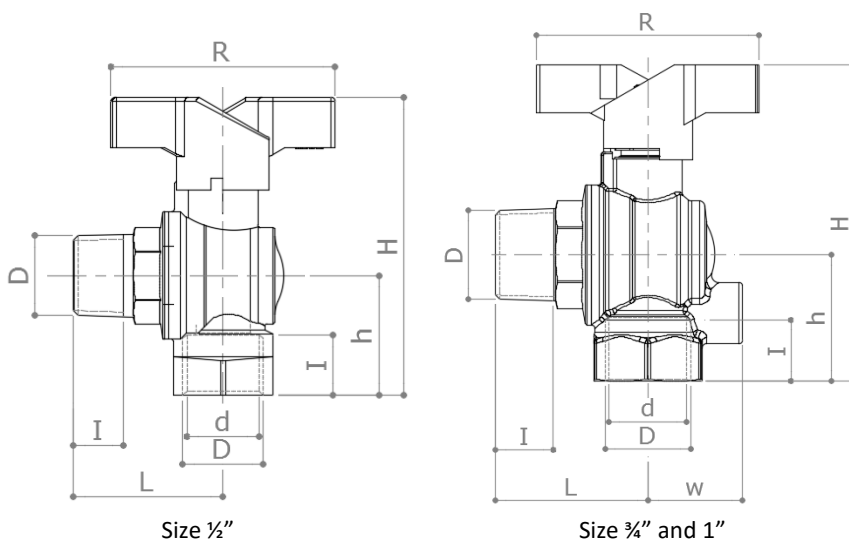
DESCRIPTION

**59/9ROS**

F x F heavy duty full-flow angle ball valve.  
Red butterfly handle.

Conform to EN 13828

DIMENSIONS



D	1/2"	3/4"	1"
d	15	20	25
H	78	89	109
h	32	35	45
I	17	18	21.5
L	40	45	51.5
w	-	27	30.5
R	58	65	75
<b>Weight [g]</b>	220	350	620

Dimensions in mm

All threads are conform to ISO 7 or ISO 228 standards

MATERIALS

- Body** CW617N (EN 12165) CuZn40Pb2
- Ball** CW617N (EN 12165) CuZn40Pb2 Chrome plated
- Stem** CW614N (EN 12164) CuZn39Pb3
- Stuffing box** CW614N (EN 12164) CuZn39Pb3
- Seat** 2 x PTFE + 1 x PTFE seal on the stem
- O-Rings** 2 x FKM
- Handle** Aluminum

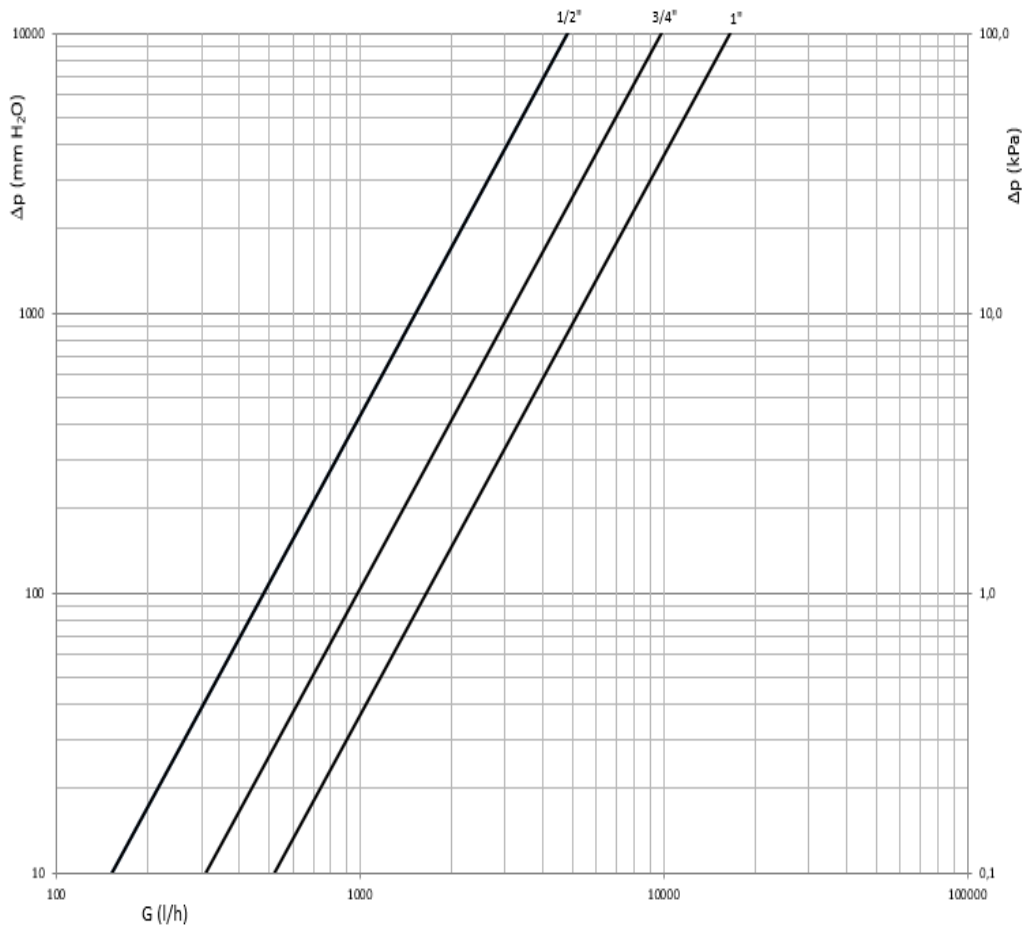
RECOMMENDED WORKING TEMPERATURE/PRESSURE LIMITS

- 16 bar – 100°C – non shock
- 10 bar – 150°C – non shock

APPROVALS



PRESSURE DROP DIAGRAM



Dim.	1/2"	3/4"	1"
Kv	4.8	9.8	16.5
PN	16	16	16