



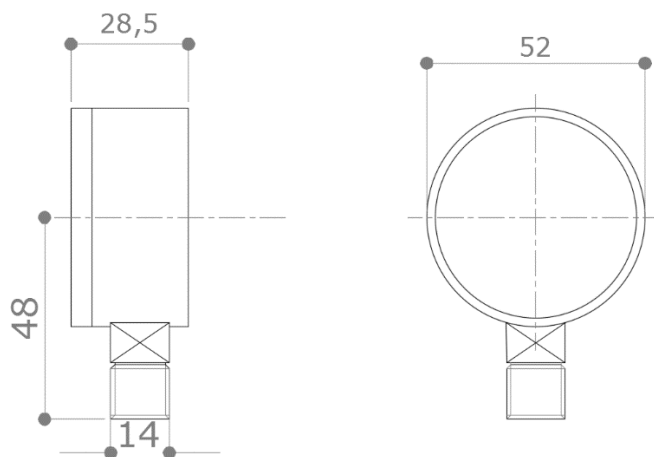
DESCRIPTION

M500R

Manometer 0 ÷ 10 bar with 1/4" M vertical connection for pressure reducer art. 500 and 502.

Conform to EN 837.1 standard

DIMENSIONS



Dimensions in mm

All threads are conform to ISO 7 standard

Weight: 70 g

TECHNICAL FEATURES

Connection: 1/4"

Class of accuracy: CL 1,6.

Scale: 10 bar.

Degree of protection: IP31.

Units of measure: bar.

Static operating pressure: up to 3/4 of full scale.

Floating operating pressure: within 2/3 of full scale.

Thermal drift: +/- 0,04%/K compared to 20°C.

Colour inner needle: black.

Colour external needle: black.

Welding: tin alloy.

Manometric element: Bourdon spring.

MATERIALS

Case

Black ABS

Transparent cover

Kostil® (Stiren-Acrilonitril)

Needle

Plastic

Connection

Brass OT58

Dial

White aluminum

Spring

Copper alloy

RECOMMENDED WORKING TEMPERATURE/PRESSURE LIMITS

10 bar – +120°C

Stock: -20°C +60°C