



DESCRIPTION

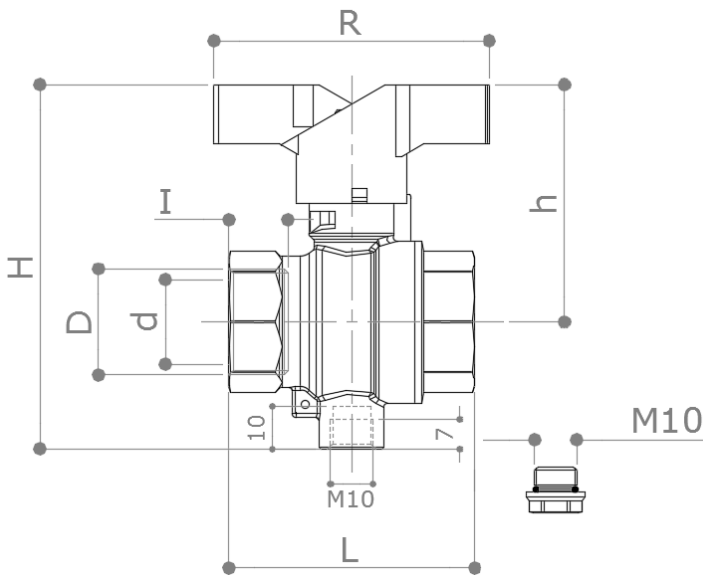
52CES

F x F “Extra Compact” full-flow ballvalve with female M10 probe housing for temperature sensor; with loop for anti-extraction seal. Nickel plated.

PROBE AND PROBE HOLDER NOT INCLUDED.

Red (52CES) or blue (52CESB) aluminium butterfly.

DIMENSIONS

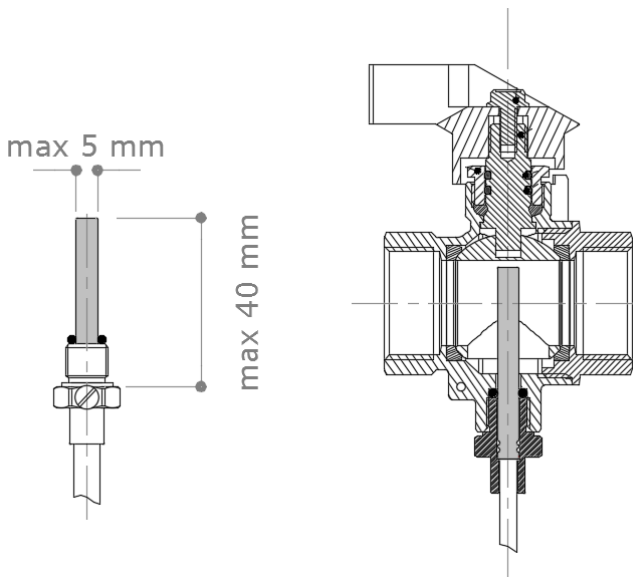


D	½"	¾"	1"
d	15	20	25
h	46	55	59.5
H	79	86	94
I	11	13	14
L	47.5	58	73
R	58	65	65
Weight [g]	185	285	440

Dimensions in mm

All threads are conform to ISO 7 or ISO 228 standards

Dimensional features of the temperature probe



The drawing beside shows a cut-away of the 52CES ballvalve with the temperature probe. Please, use only temperature sensors, with own M10 male probe holder, which are conform to the length and diameter limits reported beside.

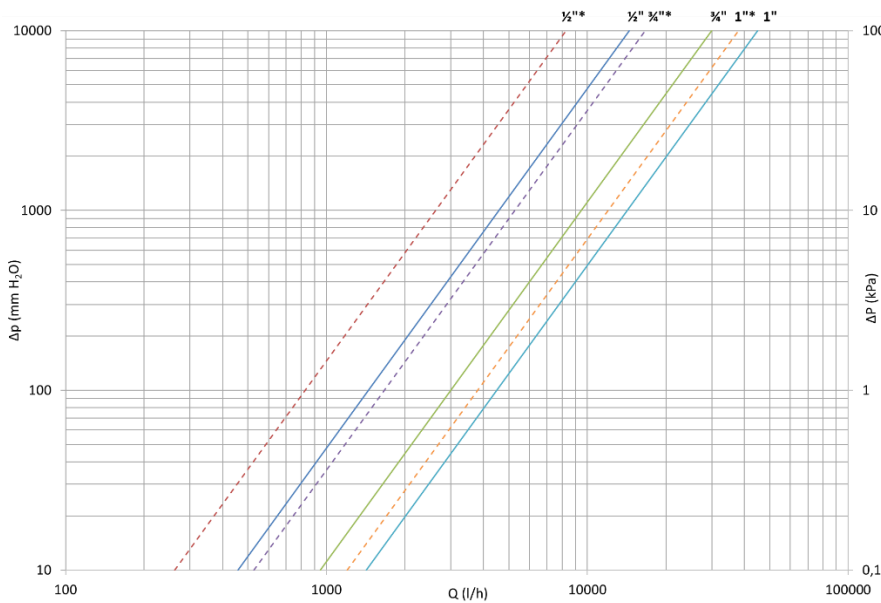
The picture below shows the ballvalve with the probe already installed.



MATERIALS

Body	CW617N (EN 12165) CuZn40Pb2	Cap	CW614N (EN 12164) CuZn39Pb3
Ball	CW617N (EN 12165) CuZn40Pb2 Chrome plated	Seat	2 x PTFE + 1 x PTFE seal on the stem
Stem	CW614N (EN 12164) CuZn39Pb3	O-Rings	2 x FKM + 1 x NBR
Stuffing box	CW614N (EN 12164) CuZn39Pb3 adjustable	Handle	Painted aluminium

PRESSURE DROP DIAGRAM



Dim.	Kv	PN
1/2''*	8.3	ND
1/2''	14.5	28
3/4''*	16.7	ND
3/4''	30	28
1''*	38	ND
1''	45	28

*: Kv value of the valve with a suitable temperature sensor (5 mm diameter), represented by the dot line.

The solid curve represents the Kv value of the valve without the temperature sensor.

The nominal pressure with the temperature sensor is not declared because it is influenced by the probe holder type.

RECOMMENDED WORKING TEMPERATURE/PRESSURE LIMITS

28 bar – 100°C – non shock

-20°C: lower temperature limit with 50% glycol. No frost.