

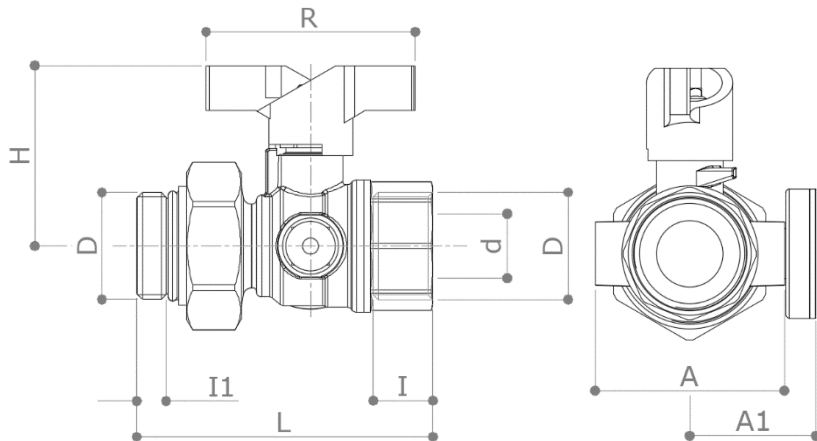
DESCRIPTION

# 52XT/3

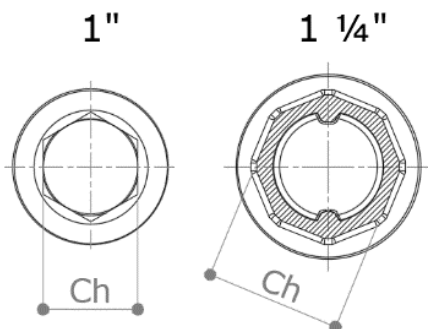
Set of 2 F x Union straight ball valve for manifolds **7035** and **8135** series with butterfly handle. Union end with sealing O-Ring. With house for thermometer **T39P/80** (not included).

Red and blue butterfly handle.

DIMENSIONS



<b>D</b>	<b>1"</b>	<b>1 1/4"</b>
<b>d</b>	20	20
<b>H</b>	56	56
<b>I</b>	18.5	18.5
<b>I1</b>	10	10
<b>L</b>	92	111.5
<b>R</b>	65	65
<b>A</b>	57	57
<b>A1*</b>	38	38
<b>Ch</b>	24	34
<b>Weight [g]</b>	1036	1266

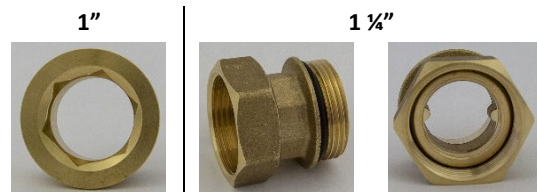


Weight of the whole set (2 valves and unions).

Union 1" can be screwed into the manifold with a 24 mm Allen Key or the Pettinaroli key **01007** (not included).

Union 1 1/4" can be installed by means of a 34 mm spanner or a dedicated union key.

See drawings beside and pictures below.



\* Thermometer not included

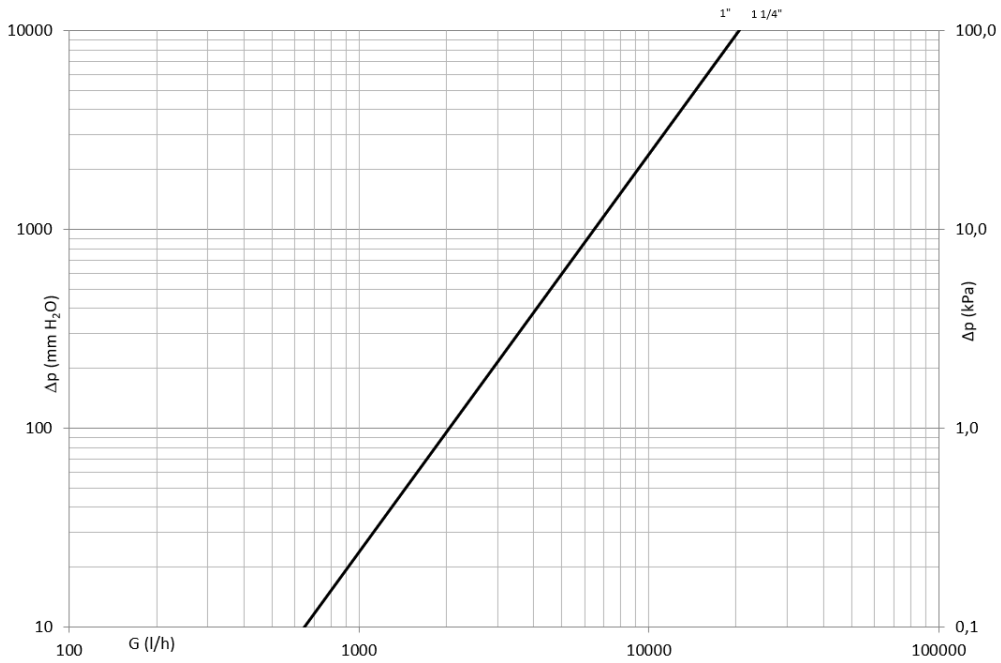
Dimensions in **mm**

All threads are conformed to ISO 7 or ISO 228 standards

MATERIALS

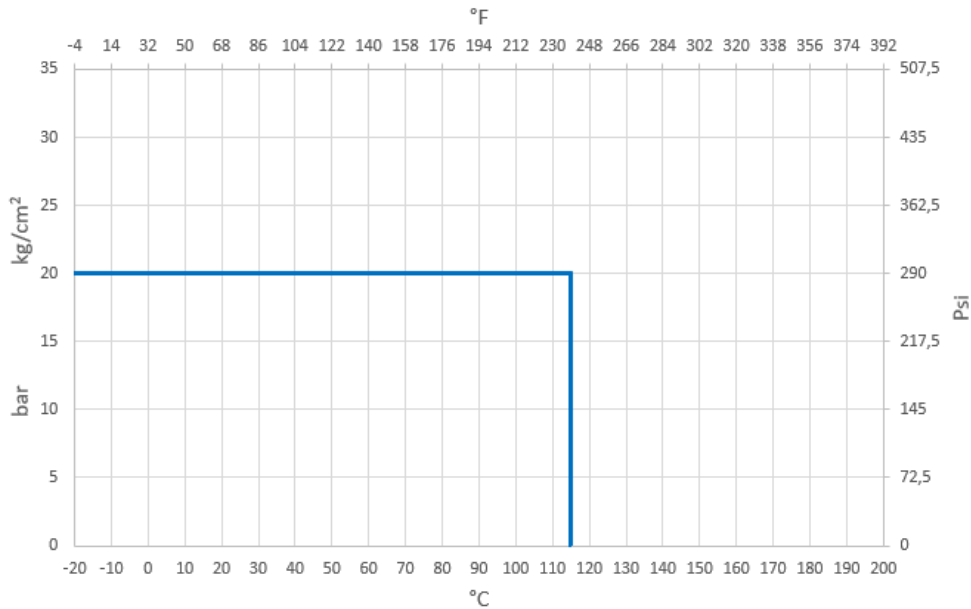
- Body** CW617N (EN 12165) CuZn40Pb2
- Ball** CW617N (EN 12165) CuZn40Pb2 TEA plated
- Union** CW614N (EN 12164) CuZn39Pb3 (1") and CW617N (EN 12165) CuZn40Pb2 (1 1/4")
- Nut** CW617N (EN 12165) CuZn40Pb2
- Stem** CW614N (EN 12164) CuZn39Pb3
- Stuffing box** CW614N (EN 12164) CuZn39Pb3 Adjustable
- Seat** 2 x PTFE + 1 x PTFE on the stem
- O-Rings** 2 x FKM + EPDMx on the union
- Gasket** EPDM
- Lever** Painted aluminum

**PRESSURE DROP DIAGRAM**



<b>Dim.</b>	<b>1"</b>	<b>1 1/4"</b>
<b>Kv</b>	20.5	20.5
<b>PN</b>	20	20

**TEMPERATURE / PRESSURE DIAGRAM**



**RECOMMENDED WORKING TEMPERATURE/PRESSURE LIMITS**

20 bar – 115°C – non shock

Lower temperature limit: 1°C, no frost.