

DESCRIPTION

C80

Recessed wall box for manifold. With n. 4 screws for mounting brackets installation.

The **C80** wall boxes are made by a thin sheet of white stove-enamelled zinc steel. They have two little feet, (to be fixed to the floor) to make the installation in the wall easier: the highness can vary between 65 cm and 74 cm. The **C80** wall boxes are 110 mm thick (minimum) and 165 mm thick (maximum) thanks to the adjustable frame.

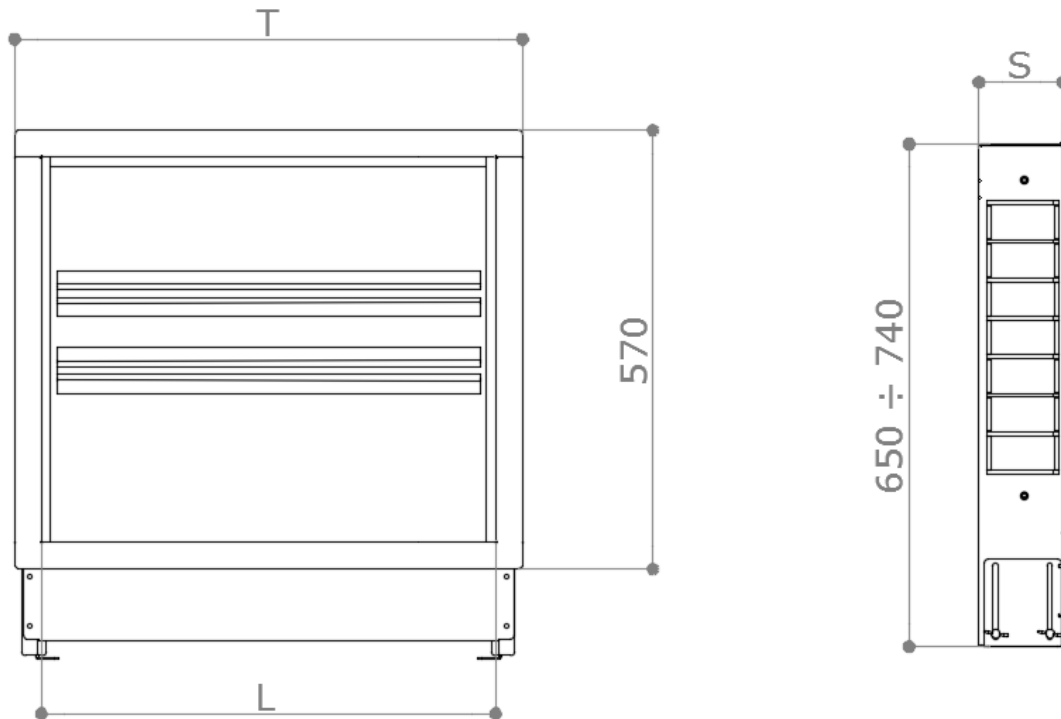
The sliding fixing screws allow the quick assembly of the manifold, fixing its brackets; so, any other assembling system is avoided (wall plugs, etc.). The door has a lock (screwdriver cut) to restrict the access to the manifold.

These wall boxes are suggested for the installation of Pettinaroli's mixing kits **MIX2**, **MIX3**, **7021** and **7013PKK** as

well as Pettinaroli's manifolds **7035TDM**, **7035TO**, **K7500P**, **K7500TO**, potentially equipped with thermometer, isolating ballvalves, drainer and air vent, as shown in the following section.



DIMENSIONS



Model	L	T	S
C80/2	600	660	110÷165
C80/3	850	910	110÷165
C80/4	1000	1060	110÷165
C80/5	1200	1260	110÷165

Model	Weight [kg]
C80/2	10.22
C80/3	13.33
C80/4	16.02
C80/5	18.24

Dimensions in mm

MATERIALS

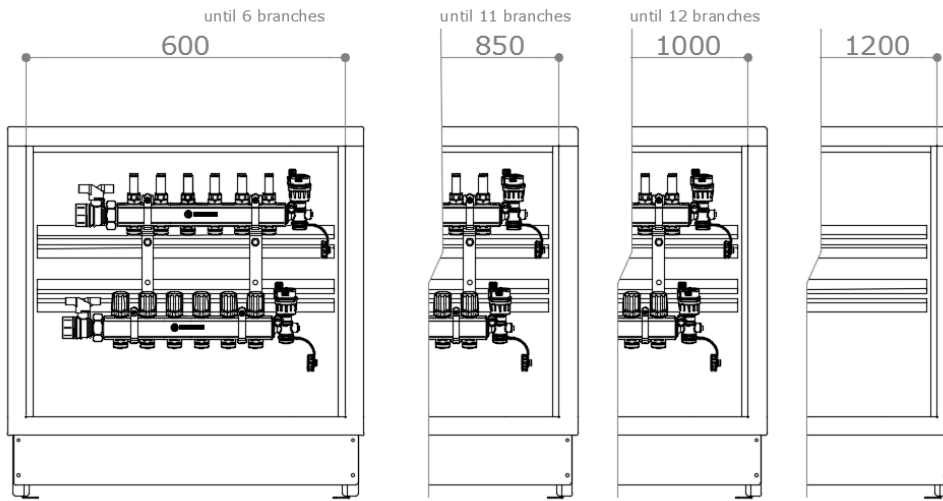
Body Zinc steel thk. 08/10, stove-enamelled, RAL 9010

Screws Steel

COUPLING WALL BOX - MANIFOLD

In order to correctly choose the right wall box, please follow the suggestions below:

- **Manifold series 7035TDM and 7035TO:**

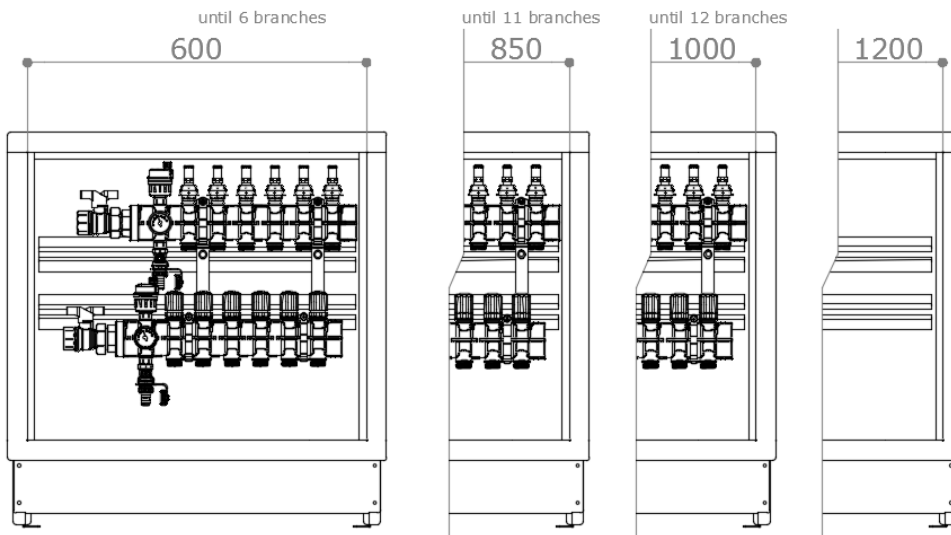


Model	C80/2	C80/3	C80/4	C80/5
7035TDM	max 6 branches	max 11 branches	max 12 branches	*
7035TO	max 6 branches	max 11 branches	max 12 branches	*

For the evaluation of the wall box size, the dimensions of isolating ballvalves and terminal group with drainer and automatic air vent have been taken into consideration; moreover, some free space has been kept for manifold installation and maintenance.

* The wall box **C80/5** (1200 mm), with a 12 branches manifold, has about 30 cm of free space for the installation of other devices.

- **Manifold series K7500P and K7500TO:**

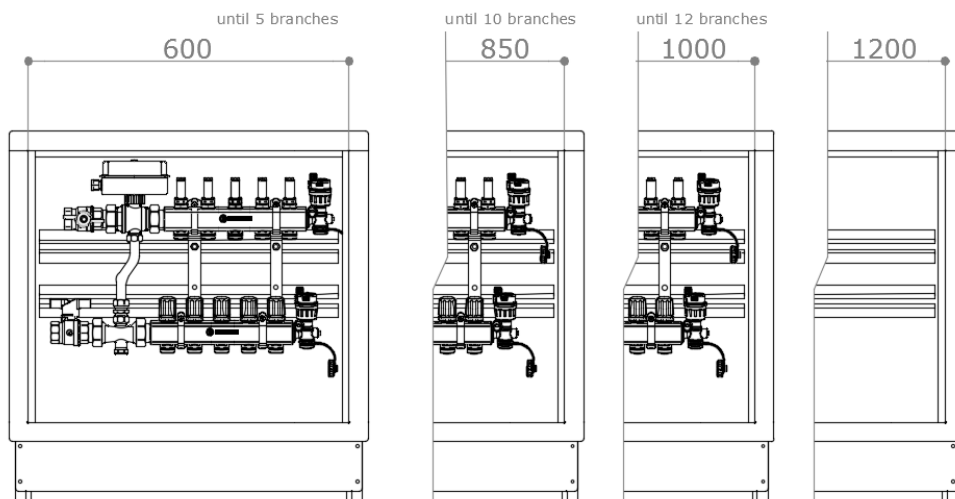


Model	C80/2	C80/3	C80/4	C80/5
K7500P	max 6 branches	max 11 branches	max 12 branches	*
K7500TO	max 6 branches	max 11 branches	max 12 branches	*

For the evaluation of the wall box size, the dimensions of isolating ballvalves and terminal group with drainer and automatic air vent have been taken into consideration; moreover, some free space has been kept for manifold installation and maintenance.

* The wall box **C80/5** (1200 mm), with a 12 branches manifold, has about 30 cm of free space for the installation of other devices.

- Manifold series 7035TDM and 7035TO with zone valve 50Z/2 or 50BZ:

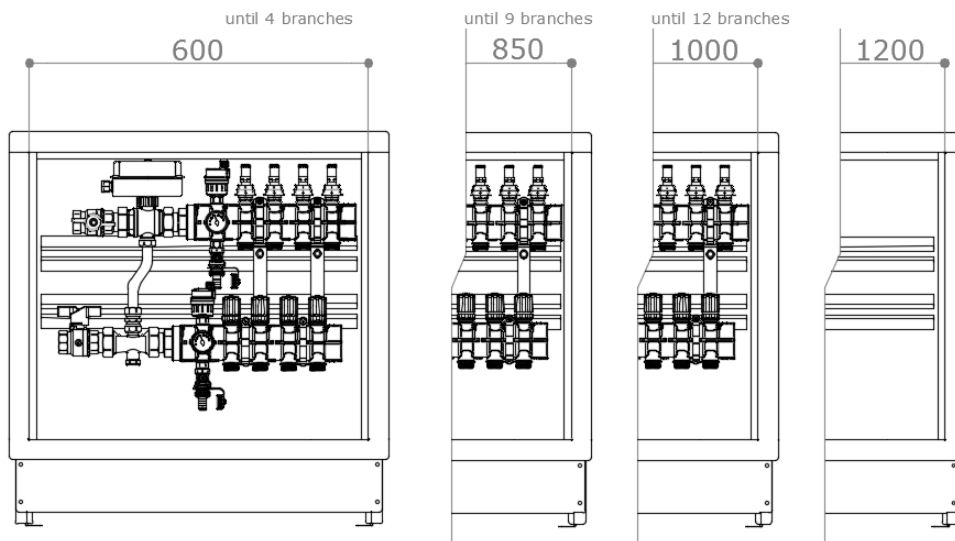


Model	C80/2	C80/3	C80/4	C80/5
7035TDM	max 5 branches	max 10 branches	max 12 branches	*
7035TO	max 5 branches	max 10 branches	max 12 branches	*

For the evaluation of the wall box size, the dimensions of isolating ballvalves, zone valve and terminal group with drainer and automatic air vent have been taken into consideration; moreover, some free space has been kept for manifold installation and maintenance. In order to close the wall box even with the isolating ballvalve 90° rotated, the wall box has to be installed at least 120 mm deep.

* The wall box C80/5 (1200 mm), with a 12 branches manifold, has about 20 cm of free space for the installation of other devices.

- Manifold series K7500P and K7500TO with zone valve 50Z/2 or 50BZ:

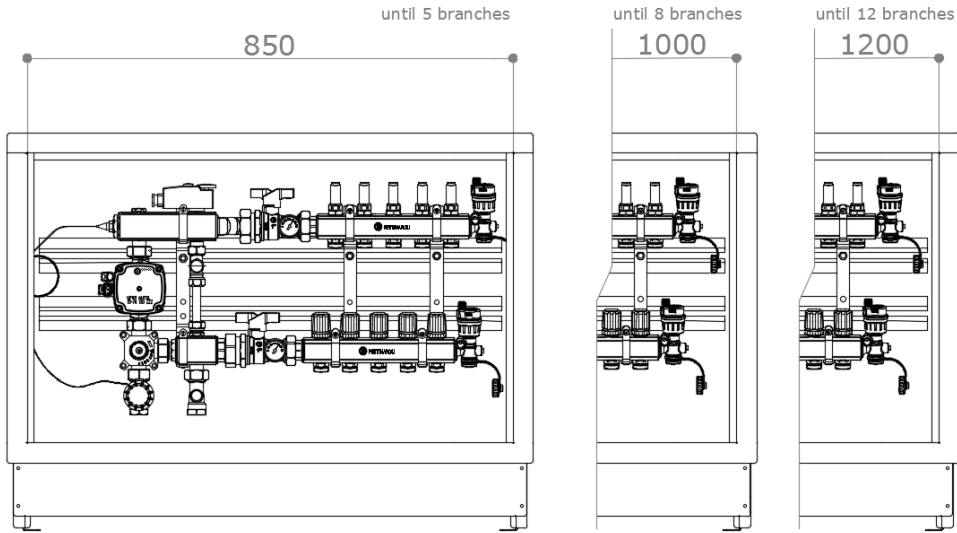


Model	C80/2	C80/3	C80/4	C80/5
K7500P	max 4 branches	max 9 branches	max 12 branches	*
K7500TO	max 4 branches	max 9 branches	max 12 branches	*

For the evaluation of the wall box size, the dimensions of isolating ballvalves, zone valve and terminal group with drainer and automatic air vent have been taken into consideration; moreover, some free space has been kept for manifold installation and maintenance. In order to close the wall box even with the isolating ballvalve 90° rotated, the wall box has to be installed at least 120 mm deep.

* The wall box C80/5 (1200 mm), with a 12 branches manifold, has about 20 cm of free space for the installation of other devices.

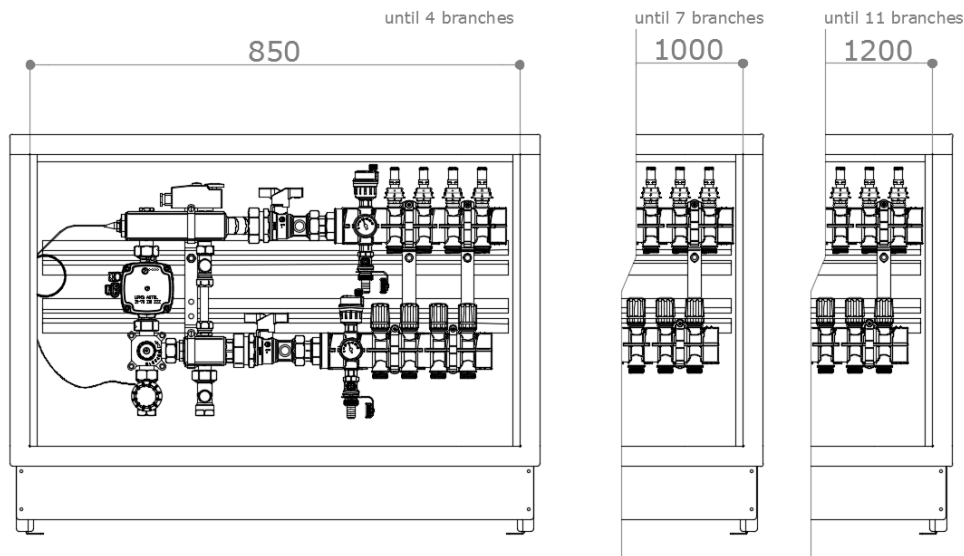
- Manifold series 7035TDM and 7035TO with mixing kit 7013PKK:



Model	C80/2	C80/3	C80/4	C80/5
7035TDM	-	max 5 branches	max 8 branches	max 12 branches
7035TO	-	max 5 branches	max 8 branches	max 12 branches

For the evaluation of the wall box size, the dimensions of pump, thermostatic head, isolating ballvalves, zone valve and terminal group with drainer and automatic air vent have been taken into consideration; moreover, some free space has been kept for manifold installation and maintenance: it is suggested to leave 160 mm from the left vertical side to maintain and replace the thermostatic head temperature remote sensor, if needed. In order to close the wall box even with the pump and the thermostatic head, the wall box has to be installed at least 165 mm deep.

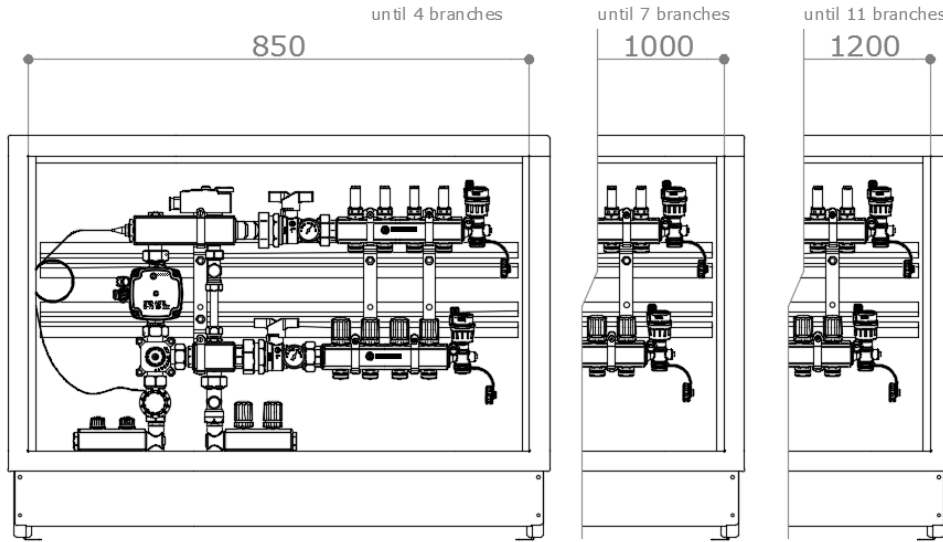
- Manifold series K7500P and K7500TO with mixing kit 7013PKK:



Model	C80/2	C80/3	C80/4	C80/5
K7500P	-	max 4 branches	max 7 branches	max 11 branches
K7500TO	-	max 4 branches	max 7 branches	max 11 branches

For the evaluation of the wall box size, the dimensions of pump, thermostatic head, isolating ballvalves, zone valve and terminal group with drainer and automatic air vent have been taken into consideration; moreover, some free space has been kept for manifold installation and maintenance: it is suggested to leave 160 mm from the left vertical side to maintain and replace the thermostatic head temperature remote sensor, if needed. In order to close the wall box even with the pump and the thermostatic head, the wall box has to be installed at least 165 mm deep.

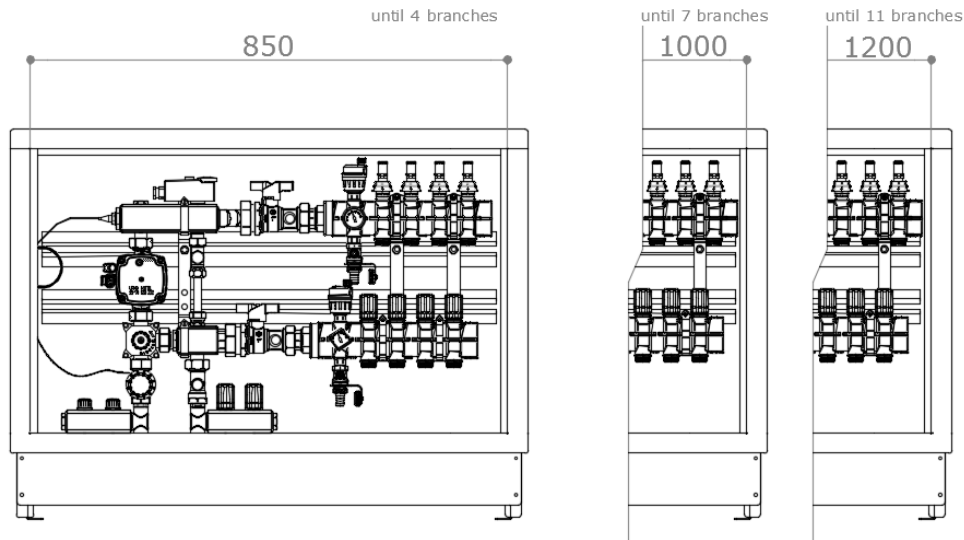
- Manifold series 7035TDM and 7035TO with mixing kit MIX2:



Model	C80/2	C80/3	C80/4	C80/5
7035TDM	-	max 4 branches	max 7 branches	max 11 branches
7035TO	-	max 4 branches	max 7 branches	max 11 branches

For the evaluation of the wall box size, the dimensions of pump, thermostatic head, isolating ballvalves, zone valve and terminal group with drainer and automatic air vent have been taken into consideration; moreover, some free space has been kept for manifold installation and maintenance: it is suggested to leave 160 mm from the left vertical side to maintain and replace the thermostatic head temperature remote sensor, if needed. In order to close the wall box even with the pump and the thermostatic head, the wall box has to be installed at least 165 mm deep.

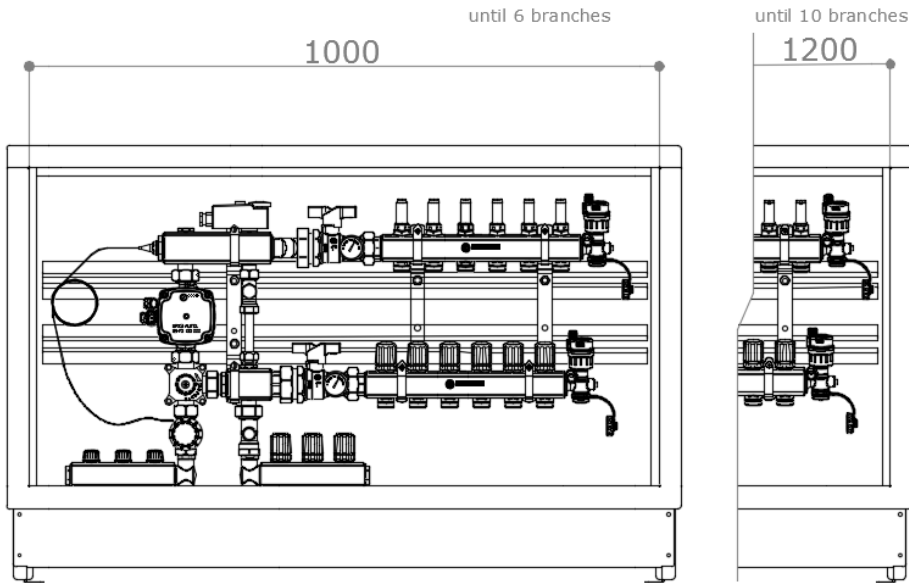
- Manifold series K7500P and K7500TO with mixing kit MIX2:



Model	C80/2	C80/3	C80/4	C80/5
K7500P	-	max 4 branches	max 7 branches	max 11 branches
K7500TO	-	max 4 branches	max 7 branches	max 11 branches

For the evaluation of the wall box size, the dimensions of pump, thermostatic head, isolating ballvalves, zone valve and terminal group with drainer and automatic air vent have been taken into consideration; moreover, some free space has been kept for manifold installation and maintenance: it is suggested to leave 160 mm from the left vertical side to maintain and replace the thermostatic head temperature remote sensor, if needed. In order to close the wall box even with the pump and the thermostatic head, the wall box has to be installed at least 165 mm deep.

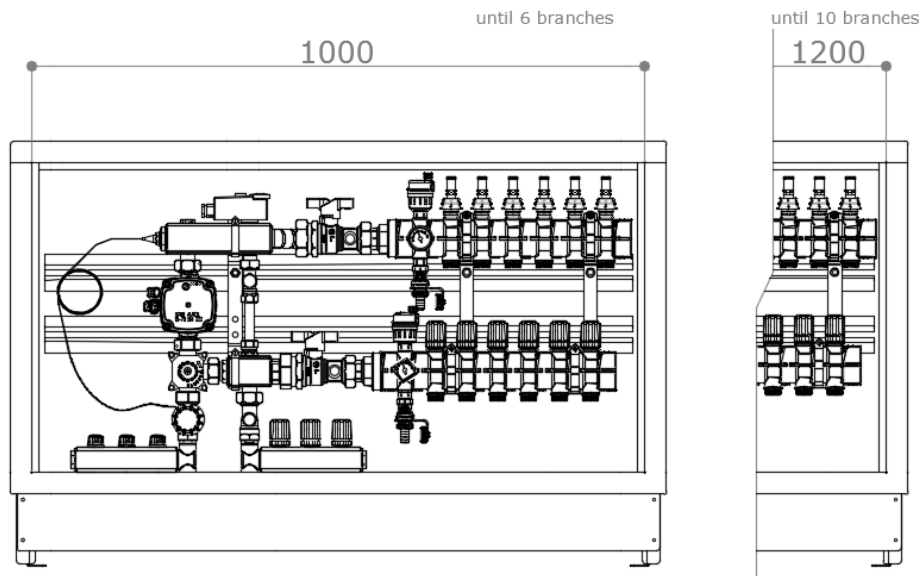
- Manifold series 7035TDM and 7035TO with mixing kit MIX3:



Model	C80/2	C80/3	C80/4	C80/5
7035TDM	-	-	max 6 branches	max 10 branches
7035TO	-	-	max 6 branches	max 10 branches

For the evaluation of the wall box size, the dimensions of pump, thermostatic head, isolating ballvalves, zone valve and terminal group with drainer and automatic air vent have been taken into consideration; moreover, some free space has been kept for manifold installation and maintenance: it is suggested to leave 160 mm from the left vertical side to maintain and replace the thermostatic head temperature remote sensor, if needed. In order to close the wall box even with the pump and the thermostatic head, the wall box has to be installed at least 165 mm deep.

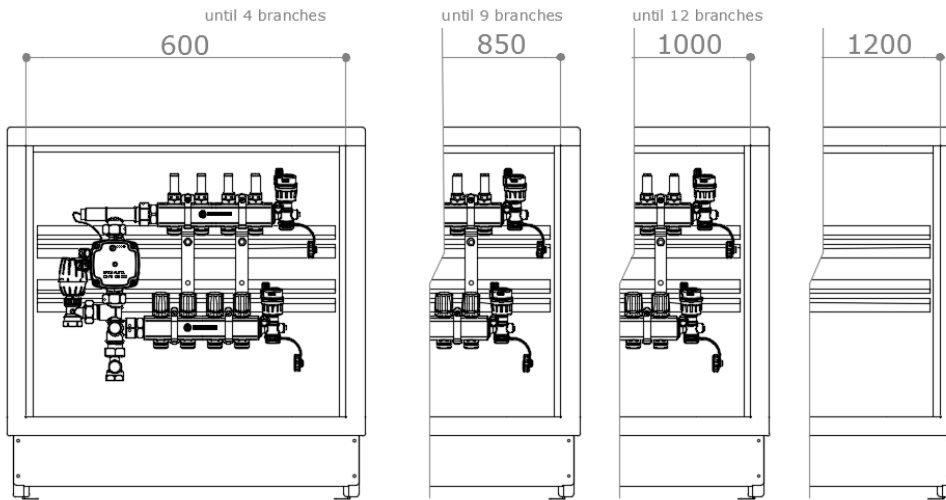
- Manifold series K7500P and K7500TO with mixing kit MIX3:



Model	C80/2	C80/3	C80/4	C80/5
K7500P	-	-	max 6 branches	max 10 branches
K7500TO	-	-	max 6 branches	max 10 branches

For the evaluation of the wall box size, the dimensions of pump, thermostatic head, isolating ballvalves, zone valve and terminal group with drainer and automatic air vent have been taken into consideration; moreover, some free space has been kept for manifold installation and maintenance: it is suggested to leave 160 mm from the left vertical side to maintain and replace the thermostatic head temperature remote sensor, if needed. In order to close the wall box even with the pump and the thermostatic head, the wall box has to be installed at least 165 mm deep.

• **Manifold series 7035TDM and 7035TO with mixing kit 7021:**

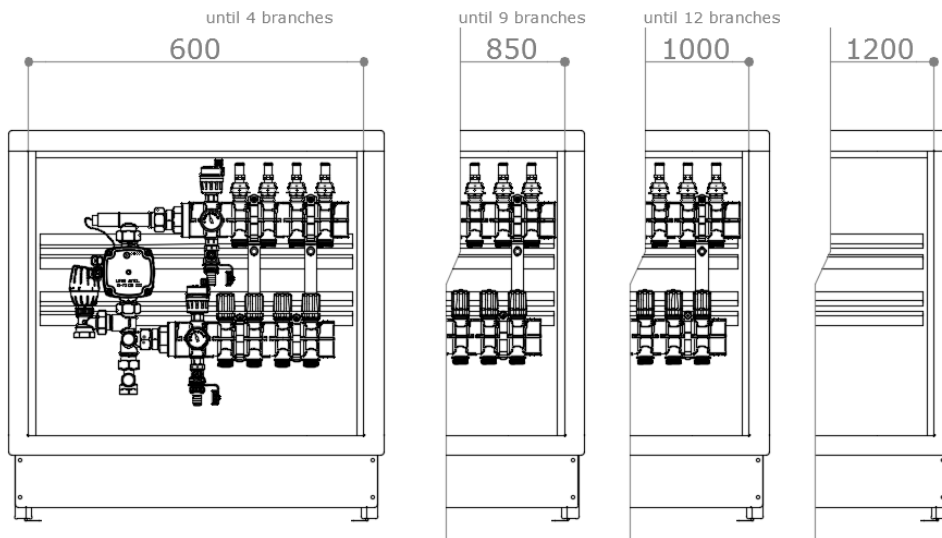


Model	C80/2	C80/3	C80/4	C80/5
7035TDM	max 4 branches	max 9 branches	max 12 branches	*
7035TO	max 4 branches	max 9 branches	max 12 branches	*

For the evaluation of the wall box size, the dimensions of pump, thermostatic head, isolating ballvalves, zone valve and terminal group with drainer and automatic air vent have been taken into consideration; moreover, some free space has been kept for manifold installation and maintenance. In order to close the wall box even with the pump and the thermostatic head, the wall box has to be installed at least 160 mm deep.

* The wall box **C80/5** (1200 mm), with a 12 branches manifold, has about 15 cm of free space for the installation of other devices.

• **Manifold series K7500P and K7500TO with mixing kit 7021:**



Model	C80/2	C80/3	C80/4	C80/5
K7500P	max 4 branches	max 9 branches	max 12 branches	*
K7500TO	max 4 branches	max 9 branches	max 12 branches	*

For the evaluation of the wall box size, the dimensions of pump, thermostatic head, isolating ballvalves, zone valve and terminal group with drainer and automatic air vent have been taken into consideration; moreover, some free space has been kept for manifold installation and maintenance. In order to close the wall box even with the pump and the thermostatic head, the wall box has to be installed at least 160 mm deep.

* The wall box **C80/5** (1200 mm), with a 12 branches manifold, has about 15 cm of free space for the installation of other devices.