



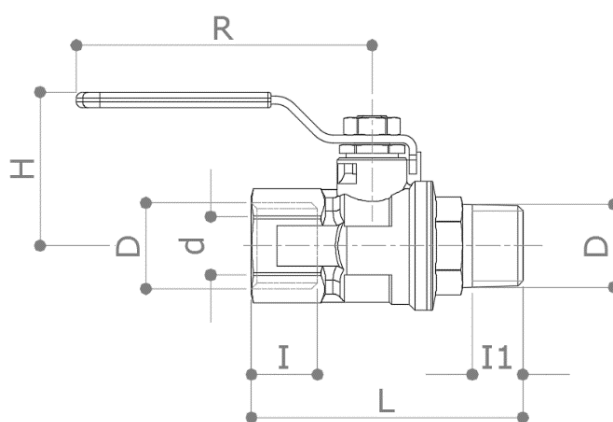
DESCRIPTION

G51/1

F x M heavy duty full-flow ball valve. For gases (natural gas, methane, ethane, propane, butane, GPL).
 Nickel plated.
 Reversible yellow steel handle.

Conform to **EN 331**

DIMENSIONS



D	¼"	3/8"	½"	¾"	1"	1 ¼"	1 ½"	2"
d	10	10	15	20	25	32	40	50
H	36	36	39	49	61	66	82	89
I	11.5	12	17	18	21.5	23.5	23.5	28
I1	11.5	12	17	18	21.5	23.5	23.5	28
L	56	57.5	70	79	93.5	106	117	138.5
R	75	75	75	95	120	120	150	150
PN	8	8	8	8	8	8	8	8
Weight [g]	150	150	230	380	655	975	1345	2140

Dimensions in mm

All threads are conform to ISO 7 or ISO 228 standards

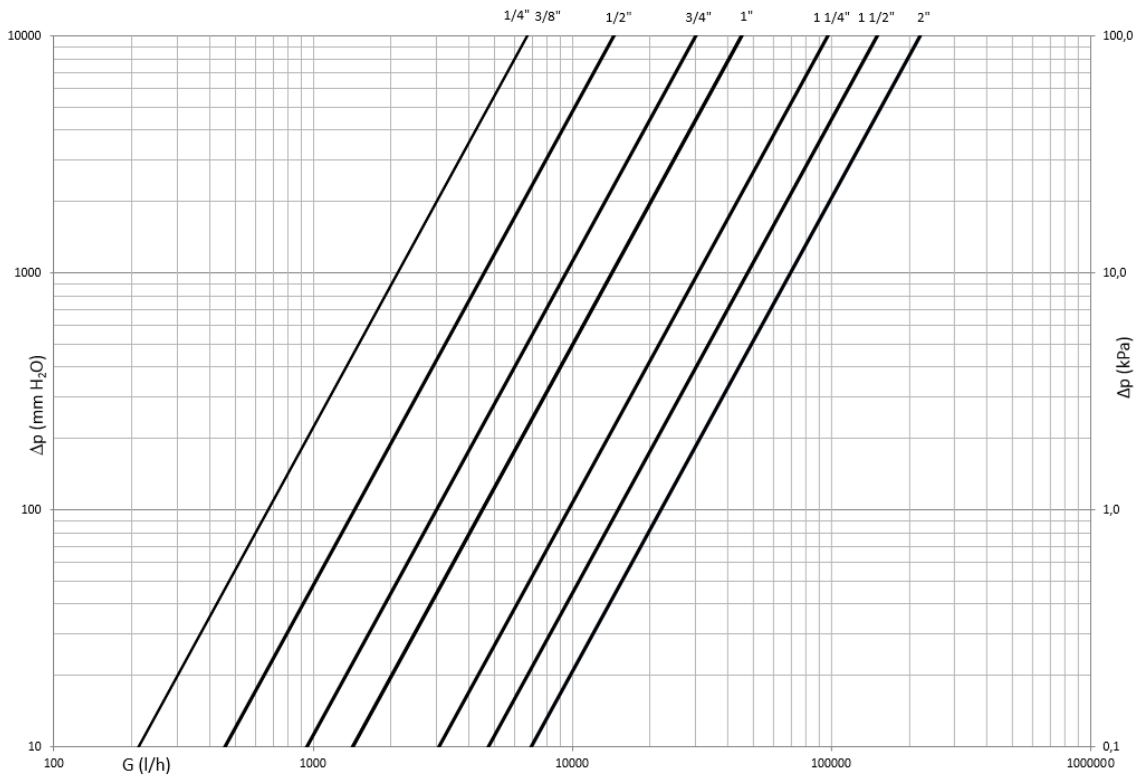
MATERIALS

- Body** CW617N (EN 12165) CuZn40Pb2
- Ball** CW617N (EN 12165) CuZn40Pb2 Chrome plated
- Stem** CW614N (EN 12164) CuZn39Pb3
- Stuffing box** CW614N (EN 12164) CuZn39Pb3
- Seat** 2 x PTFE + 1 x PTFE seal on the stem
- O-Rings** 2 x FKM
- Handle** Delta Protect coated steel. PVC grip with "Pad printing"

APPROVALS

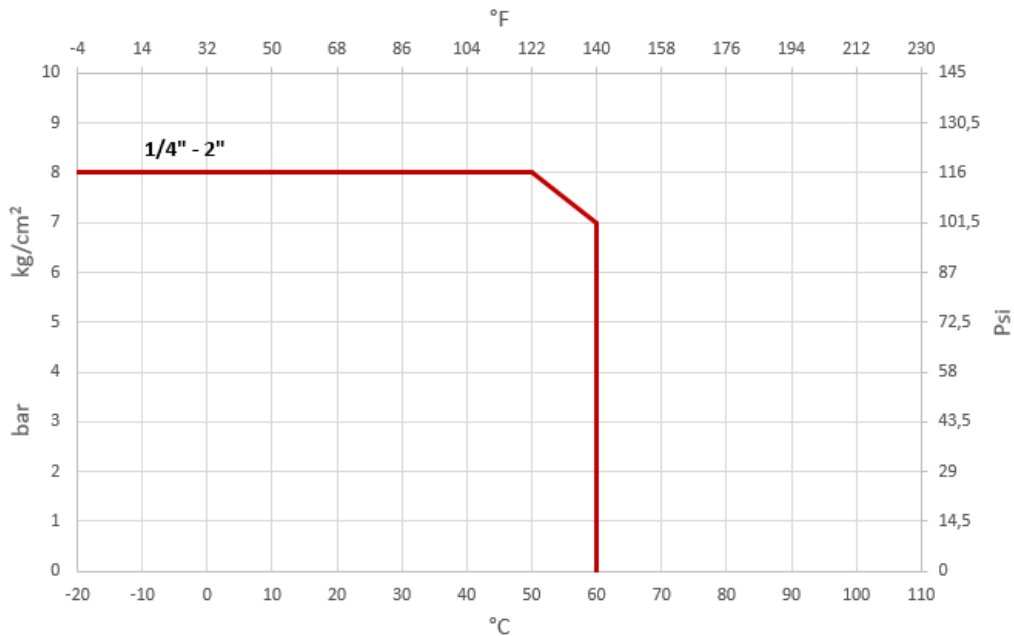


PRESSURE DROP DIAGRAM



Dim.	1/4"	3/8"	1/2"	3/4"	1"	1 1/4"	1 1/2"	2"
Kv	6.6	6.7	14.5	30	45	97	150	220

TEMPERATURE / PRESSURE DIAGRAM



Working temperature: -20°C - + 60°C