



DESCRIPTION

# M7035P

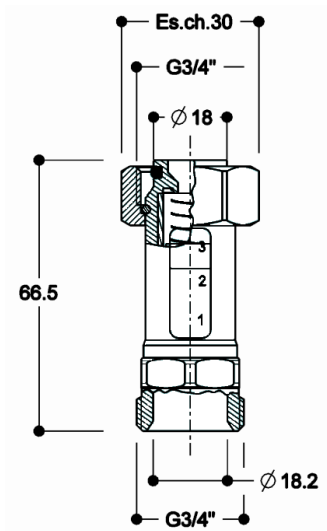
Flow rate indicator device for manifolds **7035** and **K7500** series.

Connection to manifold: 3/4"x18mm with swivel nut.

Connection to pipe 3/4"x18mm, compatible with all Pettinaroli fittings for all pipes (**3015**, **3015SCR** and **3625**). Fittings not included.

Install the device according to the flow direction shown on the body: the device must be installed on the **return manifold**.

DIMENSIONS



Range	0.5 - 3 l/min	1 - 8 l/min
Weight [g]	140	140

Dimensions in mm

All threads are conform to ISO 228 standard

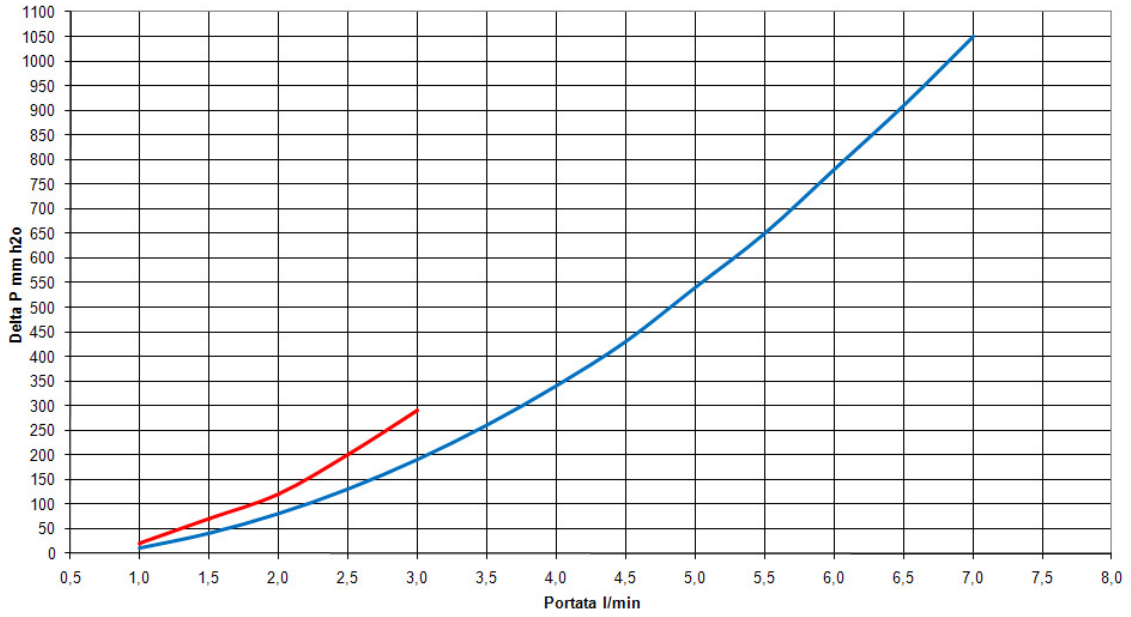
MATERIALS

- Body** CW617N (EN 12165) CuZn40Pb2
- Nut** CW617N (EN 12165) CuZn40Pb2
- Spring** Stainless steel AISI 302
- Sleeve** Pirex glass
- Indicator** POM

APPROVALS



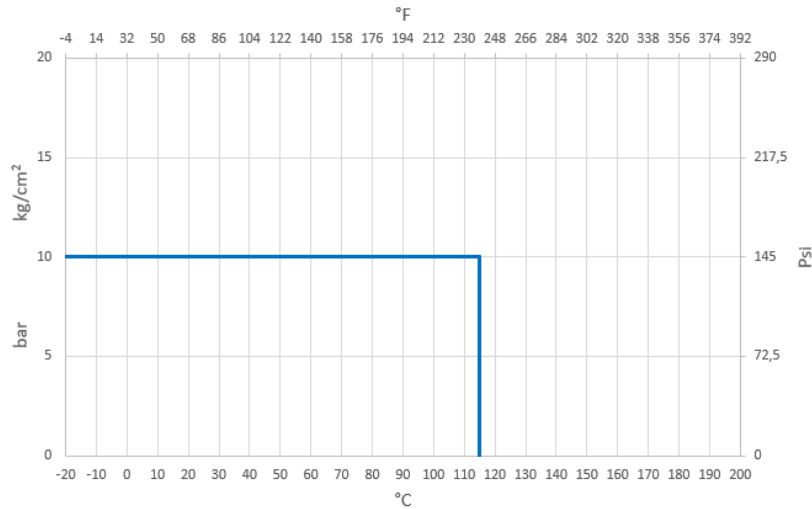
PRESSURE DROP DIAGRAM



Range	0.5 - 3 l/min	1 - 8 l/min
Kv	1.06	1.3
PN	10	10

— 0.5 ÷ 3 l/min. — 1 ÷ 8 l/min.

TEMPERATURE / PRESSURE DIAGRAM



RECOMMENDED WORKING TEMPERATURE/PRESSURE LIMITS

10 bar – 115°C – non shock