

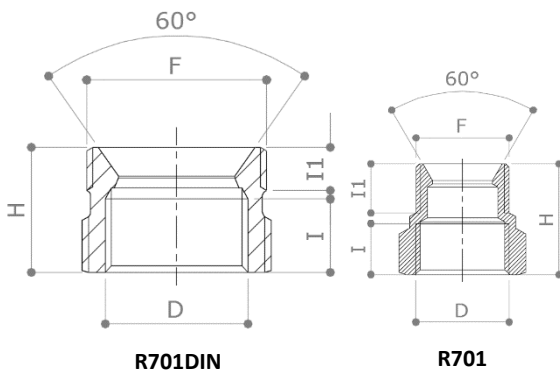


DESCRIPTION

R701DIN-R701

Brass tail piece F x M cone BS5200 60°. Yellow.

DIMENSIONS



D	5/8"	1/2"	3/4"	1"	3/4"
F	3/8"	3/4"	1	1 1/4"	3/4"
H	22	24.5	26.5	29	31.5
I	10.5	13	14.5	17	14.5
I1	8.5	9	15	10	14
Weight [g]	40	55	79	135	70
Art.	R701DIN	R701DIN	R701DIN	R701DIN	R701

Dimensions in mm
All threads are conform to ISO 228 standard

MATERIALS

Body CW617N (EN 12165) CuZn40Pb2

RECOMMENDED WORKING TEMPERATURE/PRESSURE LIMIT

40 bar – 120°C – non shock