



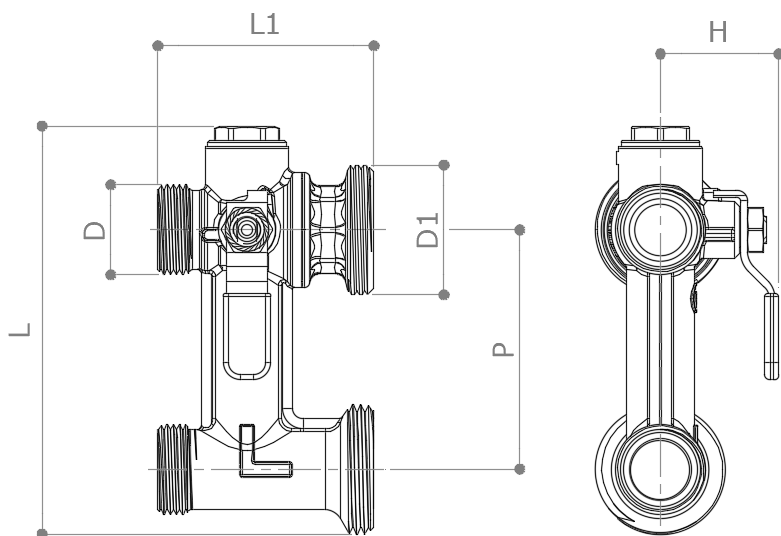
DESCRIPTION

# XT7BP

70 mm by-pass ball valve. Male Euroconus connection x Male flat end connection with OR. Suitable unions: **B90T**. The provided O-Ring must be used. Unions and OR are not included.

T shape ball: it prevents reverse flushing once the by-pass is open.  
M6 thread on the side cap. DZR body.  
Blue lever.

DIMENSIONS



<b>D</b>	3/4" Euroconus
<b>D1</b>	1 1/8" flat with OR
<b>H</b>	34.5
<b>L</b>	119
<b>L1</b>	63
<b>P</b>	70
<b>Weight [g]</b>	530

Dimensions in mm

All threads are conform to EN 228 standard.

MATERIALS

- Body** CW602N (EN 12167) CuZn36Pb2As
- Ball** CW614N (EN 12164) CuZn39Pb3 TEA plated
- Stem** CW614N (EN 12164) CuZn39Pb3
- Seat** 4 x PTFE
- O-Rings** 2 x FKM
- Lever** Delta Protect coated steel. PVC grip with "Pad printing"

OPERATING MODES

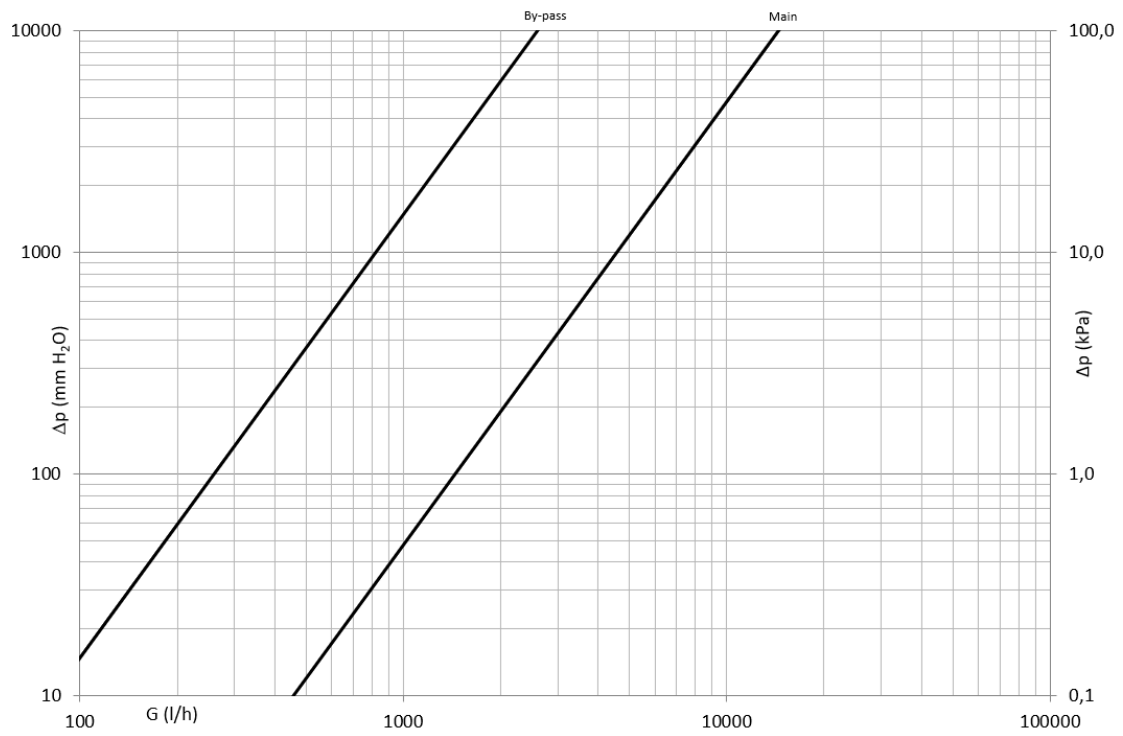


By-pass mode



Operating mode

**PRESSURE DROP DIAGRAM**



Dim.	Main way	By-pass
Kv	14.5	2.6
PN	25	

**OPERATING TEMPERATURE**

-10°C - +100°C – no frost

Water and water + glycol 30%