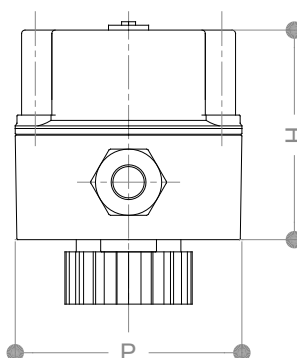
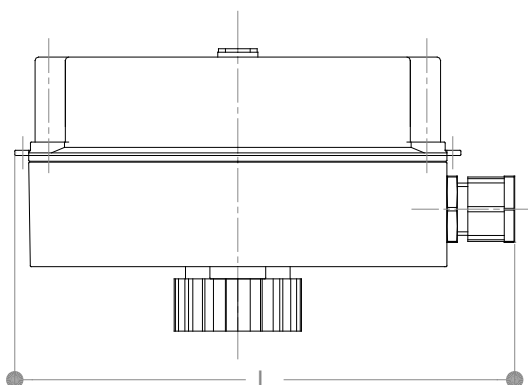


DESCRIPTION

M50Z

Electrical actuator with reversible control. For area ball valves Art.50Z – 50Z/2 – 50BZ.

DIMENSIONS



L x P x H: 143 x 65 x 60
dimensions in mm

MODELS AVAILABLE

M50Z/1	230Vac	with auxiliary switch and relay
M50Z/2	24Vac	with auxiliary switch and relay
M50Z/3	230Vac	with relay
M50Z/4	24Vac	with relay

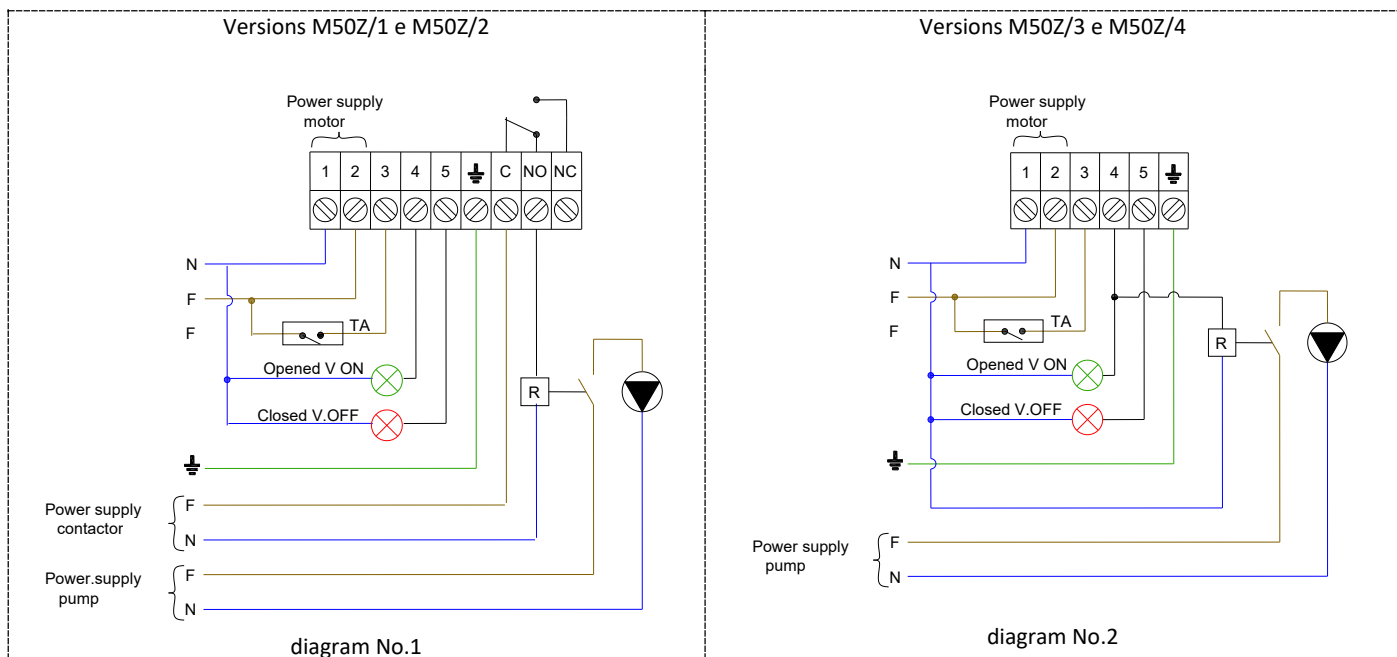
TECHNICAL DATA

motor with reversible control	0° - 90° - 0°
supply voltage:	230VAC 50 Hz - 24VAC 50 Hz
absorbed power	3.5 VA
electrical protection level:	IP53
torque on the control rod	9 Nm
opening or closing time:	47 secondi
auxiliary switch (M50Z/3 e M50Z/4)	Max 1A - Clean Contact

APPROVAL



WIRING

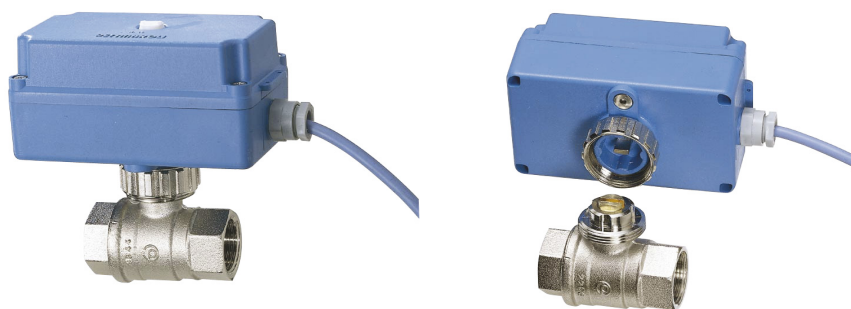


LEGEND

- N = Neutral
- F = Phase
- T.A. = Ambient thermostat
- R = relay - Contactor

CONNECTIONS

- 1 = Neutral
- 2 = Phase
- 3 = Thermo switch terminal
- 4 = Terminal in On position with the valve opened
- 5 = Terminal in On position with the valve closed
- 6 = Ground
- C = Phase
- N.O. = Normally opened
- N.C. = Normally closed



Installation

NOTES

The actuator M50Z equipped with auxiliary end position microswitch (model / 1 / 2) allows to handle the circulator (and / or any external device) and the actuator in a completely independent way. The use of an external relay/contactor is still recommended. (see diagram No. 1)

If you use the actuator M50Z devoid of auxiliary end position microswitch (model / 3 / 4) we strongly recommend the installation of an external relay/contactor (as shown in diagram No. 2)