



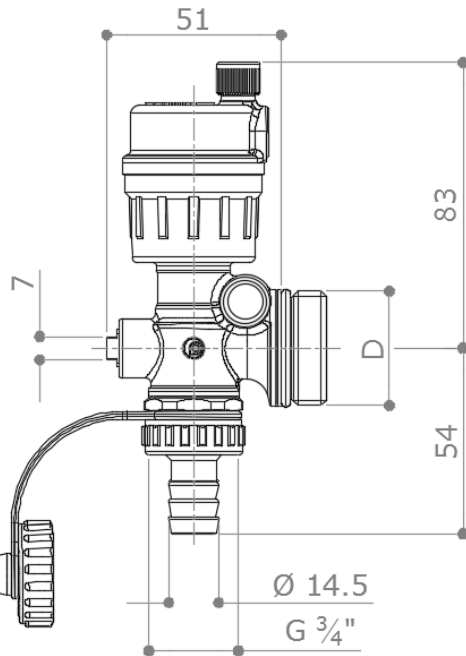
DESCRIPTION

AC7035

Terminal set for manifolds with automatic air vent and drain valve (cap and 3/4" hose union included).

The thermometer **T40**, scale 0-60°C, can be installed (not included)

DIMENSIONS



| | | |
|-------------------|-----------|---------------|
| D | 1" | 1 1/4" |
| Weight [g] | 460 | 470 |

Dimensions in mm

MATERIALS

AIR VENT

| | |
|-----------------|-----------------------------|
| Body | CW617N (EN 12165) CuZn40Pb2 |
| Cover | CW617N (EN 12165) CuZn40Pb2 |
| O-Rings | NBR |
| Floating | PP |
| Shutter | POM + WMQ |
| Spring | AISI 304 Stainless Steel |
| Washer | NBR |
| Stem | POM |

DRAIN VALVE

| | |
|-----------------------|---|
| Body | CW617N (EN 12165) CuZn40Pb2 |
| End Connection | CW614N (EN 12164) CuZn39Pb3 |
| Ball | CW617N (EN 12165) CuZn40Pb2 Chrome plated |
| Stem | CW614N (EN 12164) CuZn39Pb3 |
| Cap | CW617N (EN 12165) CuZn40Pb2 |
| Hose Union | CW614N (EN 12164) CuZn39Pb3 |
| Seat | 2 x PTFE |
| O-Rings | 2 x FKM + NBR |

RECOMMENDED PRESSURE / TEMPERATURE LIMITS

10 bar – 115°C – non shock