



DESCRIPTION

# 51F

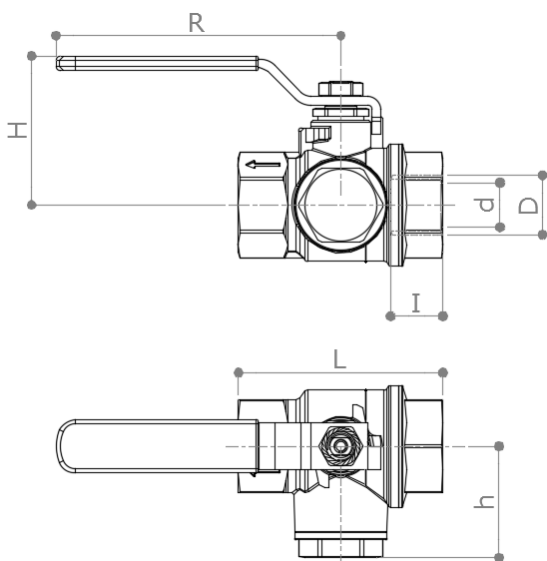
F x F heavy duty ballvalve **Filterball®** with integrated strainer FM28. Very easy to inspect and maintain.

Reversible blue steel handle.

Made in DZR alloy.

Conform to **EN 13828** standard

DIMENSIONS



D	½"	¾"	1"	1 ¼"	1 ½"	2"(51FL)	2"(51FH)
d	18	20	28.5	35.5	45	45	56
H	50	50	66	82	89	89.5	120
h	37	37	51	60	74	76.5	90
I	15	16	21.5	23.5	23.5	26	28
L	69	69	95	111	127	154	154
R	95	95	120	150	150	150	200
Weight [g]	435	445	1145	1900	2800	3260	5390

Dimensions in **mm**

All threads are conform to ISO 7 or ISO 228 standards

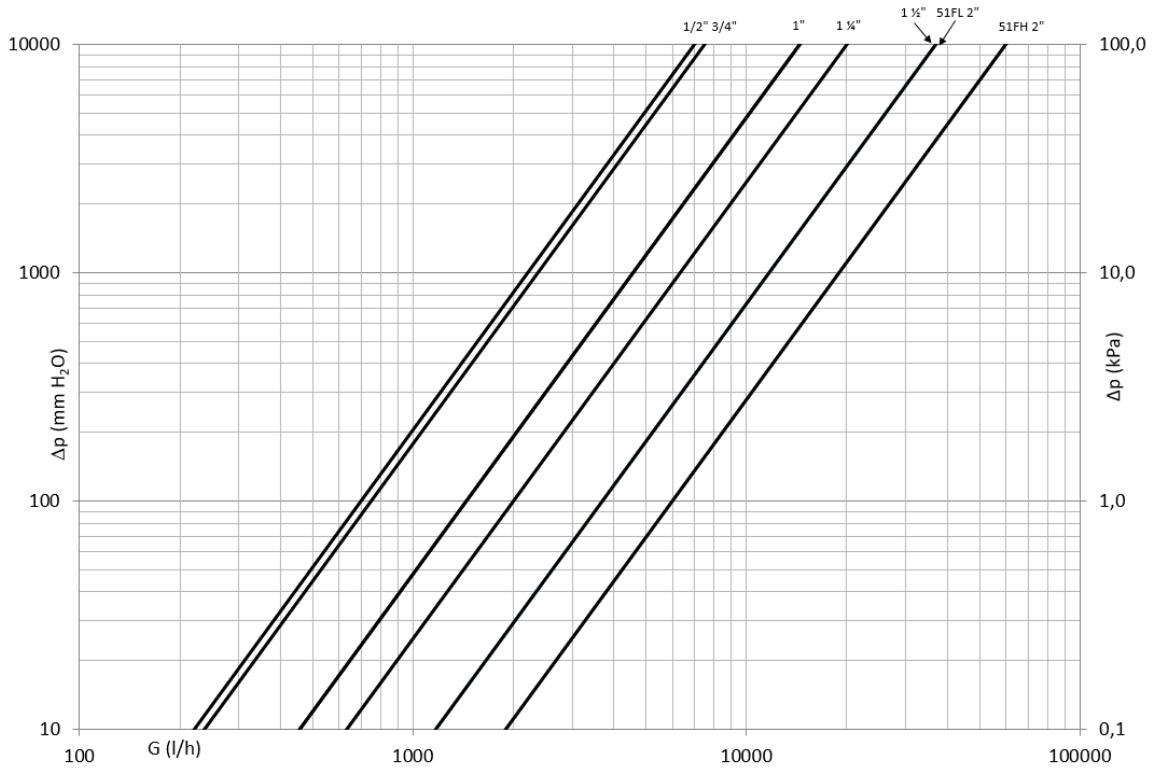
MATERIALS

- Body** CW602N (EN 12167) CuZn36Pb2As
- Ball** CW602N (EN 12167) CuZn36Pb2As Chrome plated
- Stem** CW602N (EN 12167) CuZn36Pb2As
- Stuffing box** CW614N (EN 12164) CuZn39Pb3 Adjustable
- Strainer** Stainless steel
- Seeger** Phosphoric bronze
- Seat** 2 x PTFE + 1 x PTFE on the stem
- O-Rings** 2 x FKM
- Handle** Delta Protect coated steel. PVC grip with "Pad printing"

APPROVALS



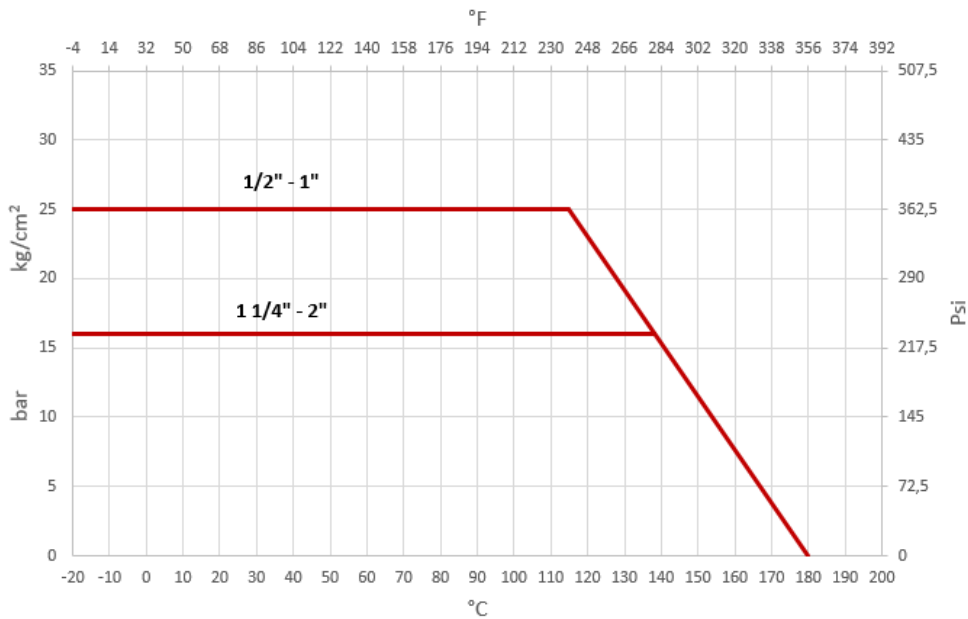
**PRESSURE DROP DIAGRAM**



Dim.	½"	¾"	1"	1 ¼"	1 ½"	2"(51FL)	2"(51FH)
Kv	7	7.5	14.5	20	37	37	60
PN	25	25	25	16	16	16	16

Kv values got by using FM28 strainer.

**TEMPERATURE / PRESSURE DIAGRAM**



**RECOMMENDED WORKING TEMPERATURE/PRESSURE LIMITS**

16 bar – 100°C – non shock

10 bar – 150°C – non shock

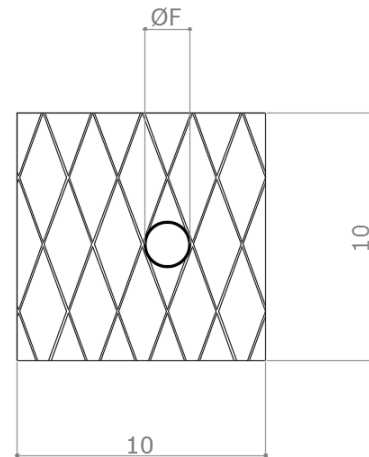
Max differential pressure: 10 bar

-20°C: lower temperature limit with 50% glycol. No frost.

AVAILABLE STRAINERS

Here the table with all the available strainers:

Type	Mesh per linear 1"	Filtering capacity	Casing
FM028 FM028N*(2)	28	Ø 700 µm (0,7 mm)	Single
FM040 FM040N*	40	Ø 300 µm (0,3 mm)	Single
FM060 FM060N*	60	Ø 230 µm (0,23 mm)	Double
FM080 FM080N*	80	Ø 180 µm (0,18 mm)	Double
FM100 FM100N*	100	Ø 150 µm (0,15 mm)	Double



Pressure loss – Kv values

Type	½"	¾"	1"	1 ¼"	1 ½"	2" (1)	2" (2)
FM028	7	7.5	14.5	20	-	60	-
FM040	5.2	5.4	12.1	18.6	28	45	28
FM060	4.4	4.6	11.4	18	27	40	27
FM080	4.8	5	11.4	18	25.5	44	25.5
FM100	4.4	4.6	9	17.7	25	43	25

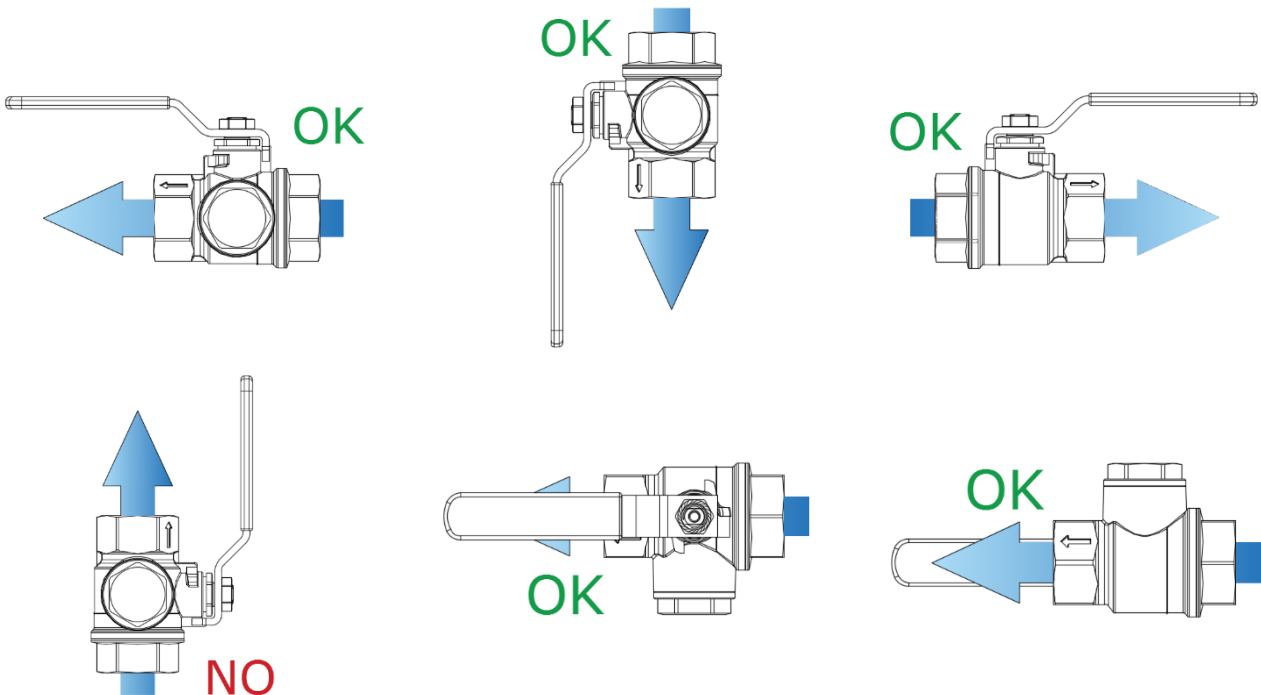
Type*	½"	¾"	1"	1 ¼"	1 ½"	2" (2)
FM028N	7	7.5	-	-	37	37
FM040N	5.2	5.4	-	-	-	-
FM060N	4.4	4.6	-	-	-	-
FM080N	4.8	5	-	-	-	-
FM100N	4.4	4.6	-	-	-	-

\* Compatible with Filterball 51F ½" – ¾" starting from production batch 1237

(1) Compatible with Filterball 51F 2" until production batch 1916 (included) and 51FH 2".

(2) Compatible with Filterball 51F 2" starting from production batch 2002, 51F 1 ½" and 51FL 2".

INSTALLATION



STE0068 rev.09 02/09/2022

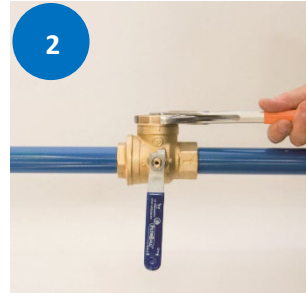
**MAINTENANCE**

In order to avoid an increasing of pressure losses due to scales, a yearly strainer cleaning is suggested. Please follow the instruction below to carry out the strainer maintenance:



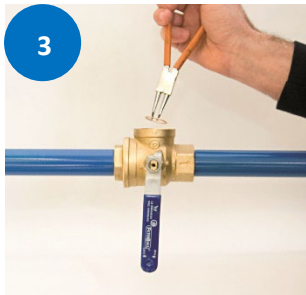
1

- Close the valve



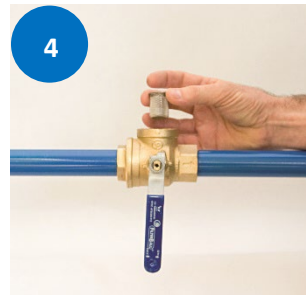
2

- Unscrew the inspection cap



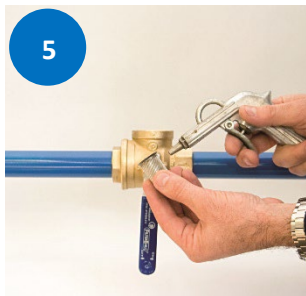
3

- Remove the Seeger ring



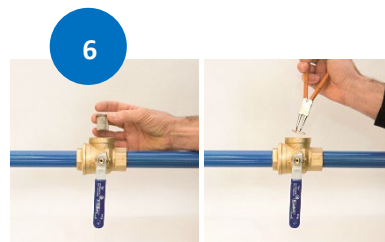
4

- Take the strainer out



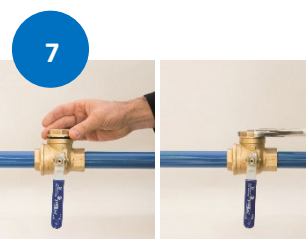
5

- Clean or change the strainer



6

- Insert the strainer and lock it with Seeger ring



7

- Screw and close the cap



8

- Open the valve