

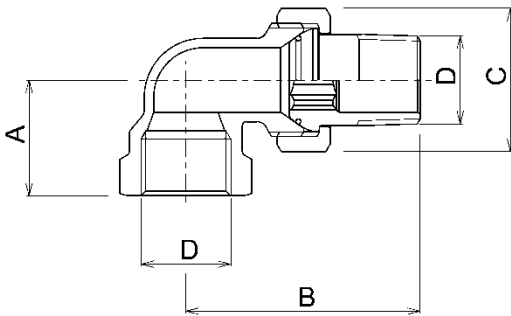


DESCRIPTION

700

FxM three pieces elbow radiator brass union. Metallic seal + O-Ring.
Yellow or nickel plated.

DIMENSIONS



D	3/8"*	1/2"*	3/4"*	1"*	1 1/4"	1 1/2"	2"
A	20.5	27	29.5	34.5	41.5	41.5	68.5
B	49	55.5	63.5	68.2	80	89	116.5
C	27	30	37	46	53	65	82
Weight [g]	100	160	242	376	580	860	1620

Dimensions in mm

All threads are conform to ISO 7/1 standard

* Union end with sealant

MATERIALS

- Elbow** CW617N (EN 12165) CuZn40Pb2
- Nut** CW617N (EN 12165) CuZn40Pb2
- Union** CW617N (EN 12165) CuZn40Pb2
- O-Ring** EPDM

VARIATION

700TN – 1/2" to 1": 3 pieces elbow yellow brass union. With O-Ring. Union end without sealant.

RECOMMENDED WORKING TEMPERATURE/PRESSURE LIMIT

30 bar – 100°C – non shock

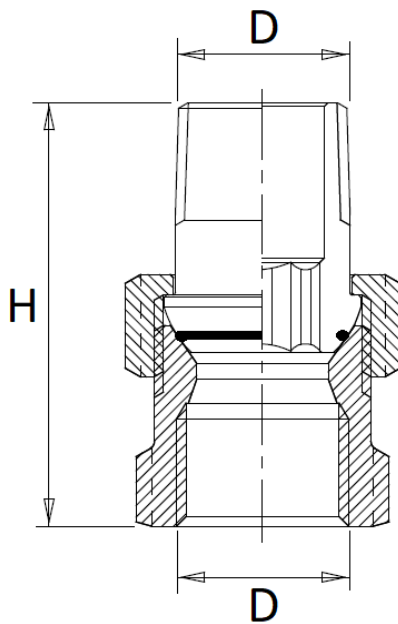


DESCRIPTION

701

FxM three pieces straight radiator brass union. Metallic seal + O-Ring.
Yellow or nickel plated.

DIMENSIONS



D	3/8"*	1/2"*	3/4"*	1"*	1 1/4"	1 1/2"	2"
H	46.5	52	57.5	62	69.5	76	98.5
Weight [g]	94	128	195	295	410	630	1280

Dimensions in mm

All threads are conform to ISO 7/1 standard

* Union end with sealant

MATERIALS

Elbow CW617N (EN 12165) CuZn40Pb2

Nut CW617N (EN 12165) CuZn40Pb2

Union CW617N (EN 12165) CuZn40Pb2

O-Ring EPDM

VARIATION

701TN – 1/2" to 1": 3 pieces stright yellow brass union. With O-Ring. Union end without sealant.

RECOMMENDED WORKING TEMPERATURE/PRESSURE LIMIT

30 bar – 100°C – non shock