



DESCRIPTION

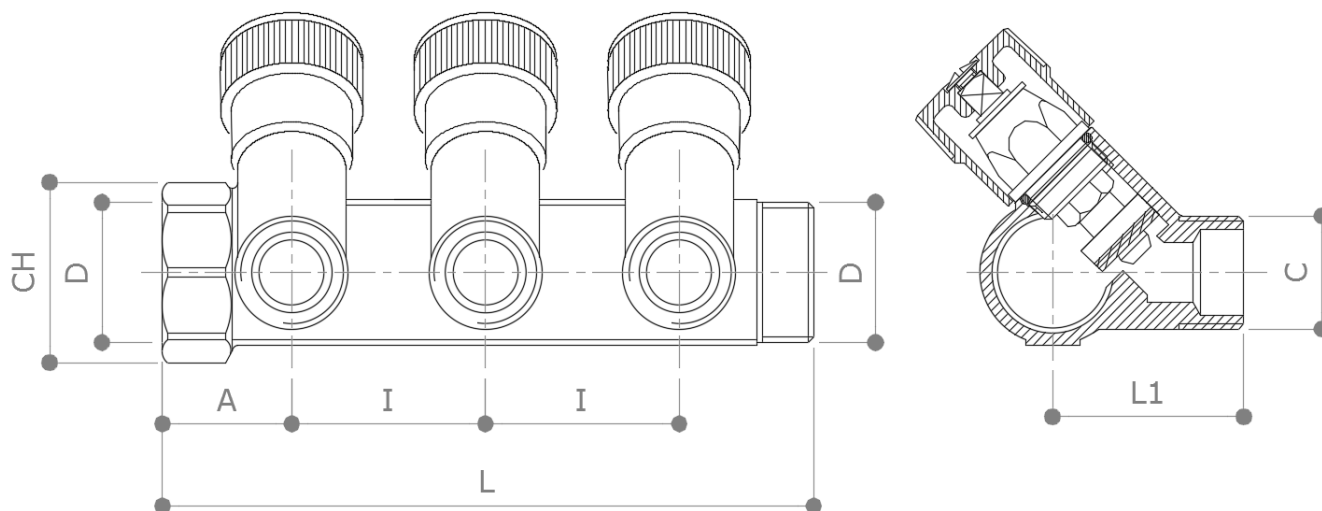
P210

Brass manifold for sanitary water systems with 2, 3 or 4 ways, equipped with tilted shut-off valves. Exterior finishing: nickel plated (only externally).

Connections 1/2" x 15 mm.

With blue and red hand wheels.

DIMENSIONS



	P212	P213	P214
D	3/4"	3/4"	3/4"
A	24	24	24
I	36	36	36
L	84	120	156
L1	35.5	35.5	35.5
C	1/2" x 15	1/2" x 15	1/2" x 15
CH	32	32	32
Ways	2	3	4
Weight (g)	340	470	650

All threads are conform to ISO 228 standard.
Dimensions in mm

MATERIALS

Body	CW617N (EN 12165) CuZn40Pb2
Shutter	CW614N EN 12164) CuZn39Pb3
Handwheels	ABS
O-ring / Seat	EPDM
Screw	Steel

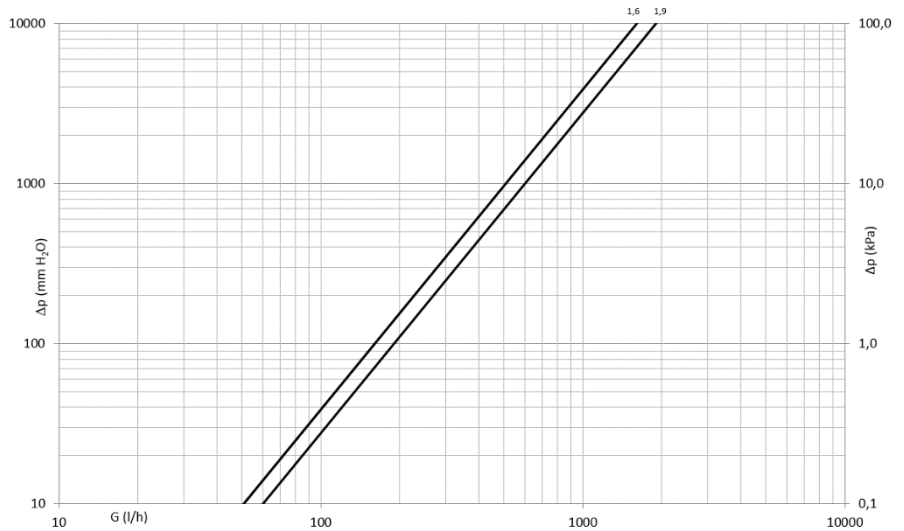
TECHNICAL SPECIFICATION

Max water temperature	100°C
Max pressure	10 bars

PRESSURE DROP DIAGRAM

	Kv (T.O.)
Manifold P210	1.9
P210 + P219TEA (or P221TEA)	1.6

T.O.: TOTAL OPEN



RECOMMENDED WORKING TEMPERATURE/PRESSURE LIMITS

10 bar – 100°C

ADDITIONAL COMPONENTS

Several accessories are available for pipe connection and installation:

P219TEA: TEA plated adapting set for multilayer pipe
Dimension: 15 x (16 x 12)



P231TEA: 3/4" M brass cap TEA plated with O-ring for P210 manifolds



P221TEA: TEA plated adapting set for multilayer pipe
Dimension: 15 x (16 x 11.6)



P227: 1/2" and 3/4" F brass cap with seat for P210 manifolds

P227TEA: 3/4" F brass cap TEA plated with seat for P210 manifolds

