



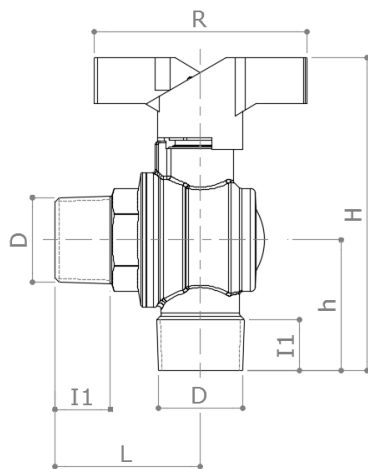
DESCRIPTION

59/2

M x M heavy duty full-flow angle ballvalve.
Red butterfly handle.

Conform to EN 13828

DIMENSIONS



D	1/2"	3/4"	1"
d	15	20	25
H	83	94	114
h	36	40	50
I ₁	17	18	21.5
L	38	43	49.5
R	58	65	75
Weight [g]	210	330	665

Dimensions in mm

All threads are conform to ISO 7 or ISO 228 standards

MATERIALS

- Body** CW617N (EN 12165) CuZn40Pb2
- Ball** CW617N (EN 12165) CuZn40Pb2 Chrome plated
- Stem** CW614N (EN 12164) CuZn39Pb3
- Stuffing box** CW614N (EN 12164) CuZn39Pb3
- Seat** 2 x PTFE + 1 x PTFE seal on the stem
- O-Rings** 2 x FKM
- Handle** Aluminium

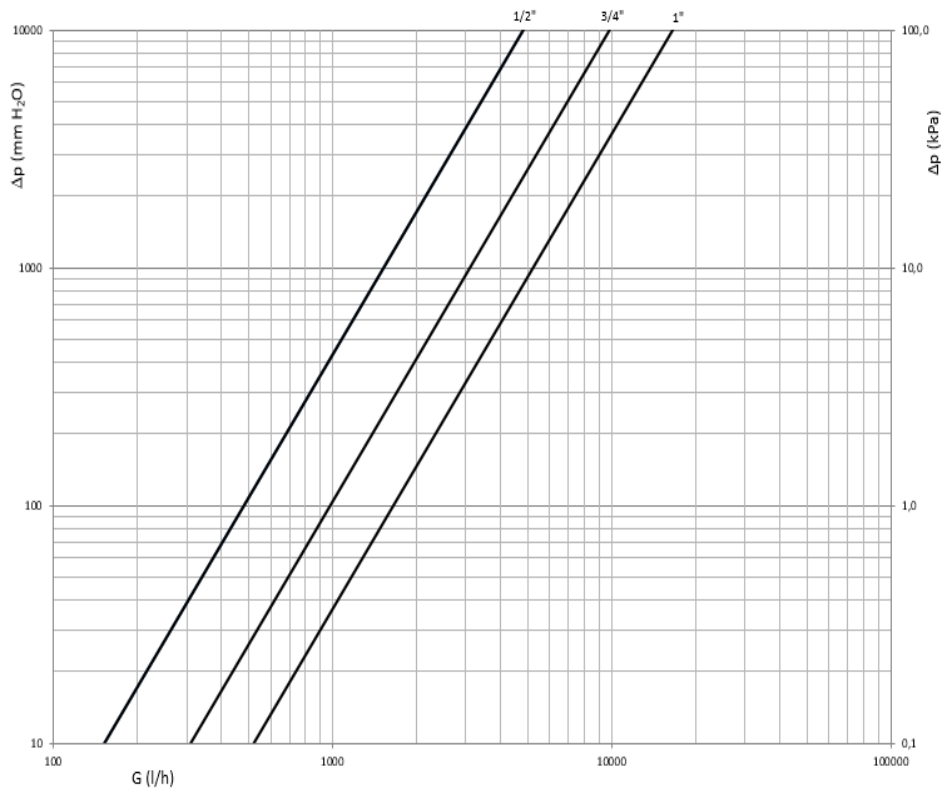
APPROVALS



RECOMMENDED WORKING TEMPERATURE/PRESSURE LIMITS

- 16 bar – 100°C – non shock
- 10 bar – 150°C – non shock

PRESSURE DROP DIAGRAM



Dim.	1/2"	3/4"	1"
Kv	4.8	9.8	16.5
PN	16	16	16