



DESCRIPTION

C90

External wall box for manifold. With n. 8 screws for mounting brackets installation.

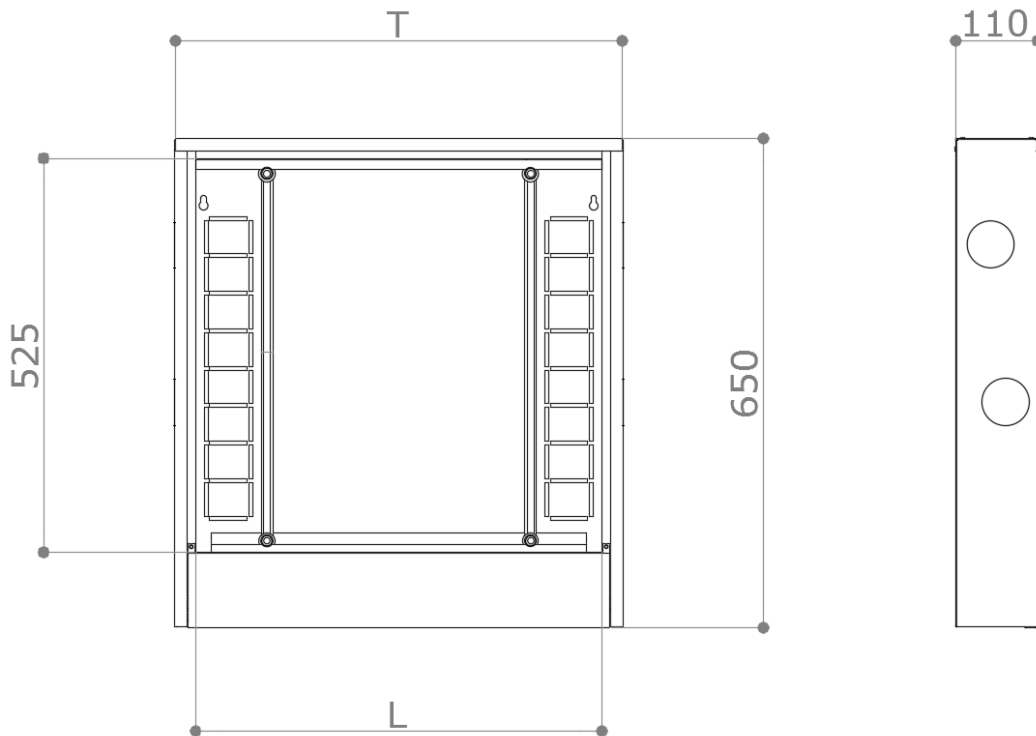
The **C90** wall boxes are made by a thin sheet of white (RAL 9010) stove-enamelled zinc steel. The **C90** wall boxes are 110 mm thick.

The sliding rails and fixing screws allow the quick assembly of the manifold, fixing its brackets; so, any other assembling system is avoided (wall plugs, etc.). The door has a lock (screwdriver cut) to restrict the access to the manifold.

These wall boxes are suggested for the installation of Pettinaroli's brass manifolds **7035TDM - 7035TO**, plastic manifolds **K7510P K7510TO - K7512TO - K7513TO** and stainless steel manifolds **8114TO - 8114TDM - 8135TO - 8135TDM**, potentially equipped with thermometer, isolating ballvalves, drainer and air vent, as shown in the following section.

When a mixing kit (Pettinaroli **C80** wall boxes are highly suggested) is installed, carefully check the amount of space.

DIMENSIONS



Model	L	T
C90/1F	340	400
C90/2F	540	600
C90/3F	790	850
C90/4F	940	1000

Model	Weight [kg]
C90/1F	5.2
C90/2F	6.2
C90/3F	7.0
C90/4F	9.0

Dimensions in mm

MATERIALS

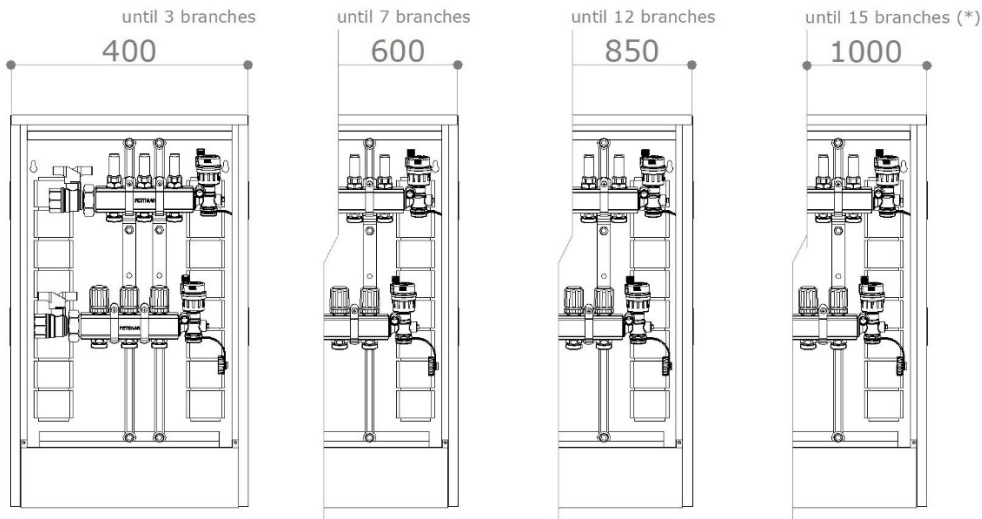
Body Zinc steel thk. 08/10, stove-enamelled. RAL 9010

Screws Steel

COUPLING WALL BOX - MANIFOLD

In order to correctly choose the right wall box, please follow the suggestions below:

- **Manifold series 7035TDM - 7035TO (Brass) and 8114TO – 8114TDM – 8135TO – 8135TDM (SS):**

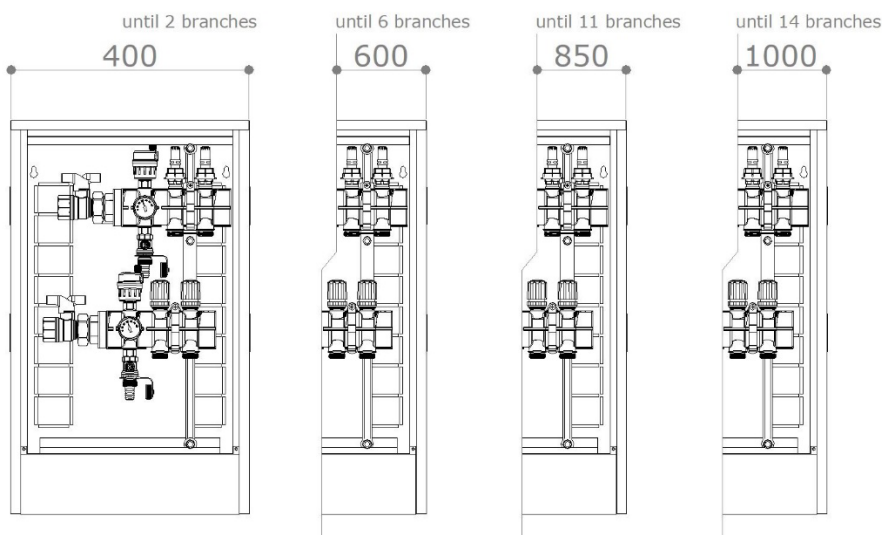


Model	C90/1F	C90/2F	C90/3F	C90/4F
7035TDM	max 3 outlets	max 7 outlets	max 12 outlets	max 15 outlets(*)
7035TO	max 3 outlets	max 7 outlets	max 12 outlets	max 15 outlets (*)
8114TO - 8135TO	max 3 outlets	max 7 outlets	max 12 outlets	max 15 outlets(*)
8114TDM - 8135TDM	max 3 outlets	max 7 outlets	max 12 outlets	max 15 outlets (*)

(*)On the Pettinaroli range the brass manifold in one piece is available till 12 outlets

For the evaluation of the wall box size, the dimensions of isolating ballvalves and terminal group with drainer and automatic air vent have been taken into consideration; moreover, some free space has been kept for manifold installation and maintenance.

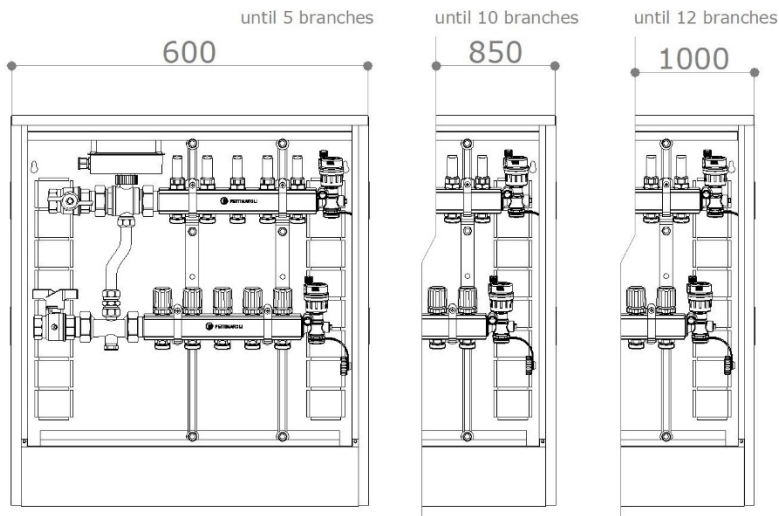
- **Manifold series K7510P and K7510TO:**



Model	C90/1F	C90/2F	C90/3F	C90/4F
K7510P	max 2 outlets	max 6 outlets	max 11 outlets	max 14 outlets
K7510TO	max 2 outlets	max 6 outlets	max 11 outlets	max 14 outlets

For the evaluation of the wall box size, the dimensions of isolating ballvalves and terminal group with drainer and automatic air vent have been taken into consideration; moreover, some free space has been kept for manifold installation and maintenance.

- Manifold series 7035TDM - 7035TO (brass) and 8114TO – 8114TDM – 8135TO – 8135TDM (SS) with zone valve 50Z/2 or 50BZ (#):

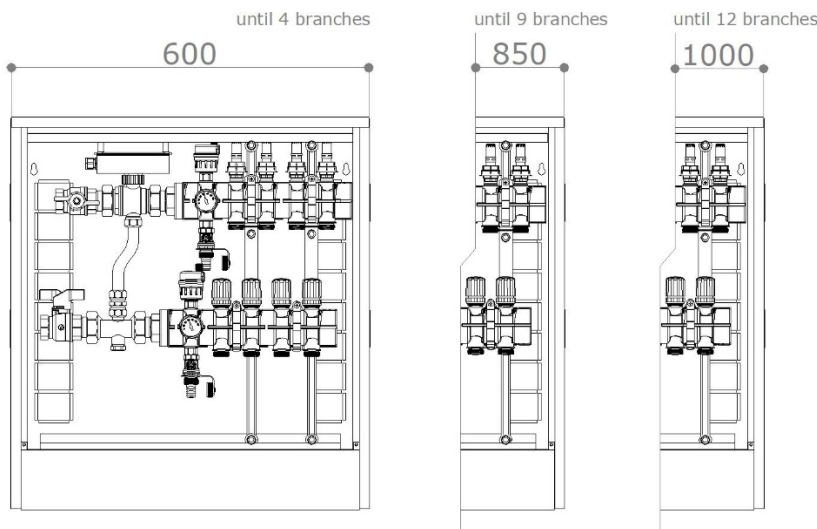


Model	C90/1F	C90/2F	C90/3F	C90/4F
7035TDM	-	max 5 outlets	max 10 outlets	max 12 outlets
7035TO	-	max 5 outlets	max 10 outlets	max 12 outlets
8114TO - 8135TO (#)	-	max 5 outlets	max 10 outlets	max 12 outlets
8114TDM - 8135TDM (#)	-	max 5 outlets	max 10 outlets	max 12 outlets

For the evaluation of the wall box size, the dimensions of isolating ballvalves, zone valve and terminal group with drainer and automatic air vent have been taken into consideration; moreover, some free space has been kept for manifold installation and maintenance.

(#) it is strongly suggested to use parallel thread unions like 1007W 1”M x 1 ¼”F flat end to connect zone valves 50Z/2 and 50BZ 1” and stainless steel manifolds (8114TO, 8114TDM, 8135TO, 8135TDM). 1007W unions should be purchased separately.

- Manifold series K7510P and K7510TO with zone valve 50Z/2 or 50BZ (#):



Model	C90/1F	C90/2F	C90/3F	C90/4F
K7510P (#)	-	max 4 outlets	max 9 outlets	max 12 outlets
K7510TO (#)	-	max 4 outlets	max 9 outlets	max 12 outlets

For the evaluation of the wall box size, the dimensions of isolating ballvalves, zone valve and terminal group with drainer and automatic air vent have been taken into consideration; moreover, some free space has been kept for manifold installation and maintenance.

(#) it is strongly suggested to directly connect the plastic manifolds and zone valves 50Z/2 and 50BZ through the flat end swivel nut of the manifolds. For further information about correct selection of zone valves, please refer to technical specifications of zone valves and plastic manifolds.