



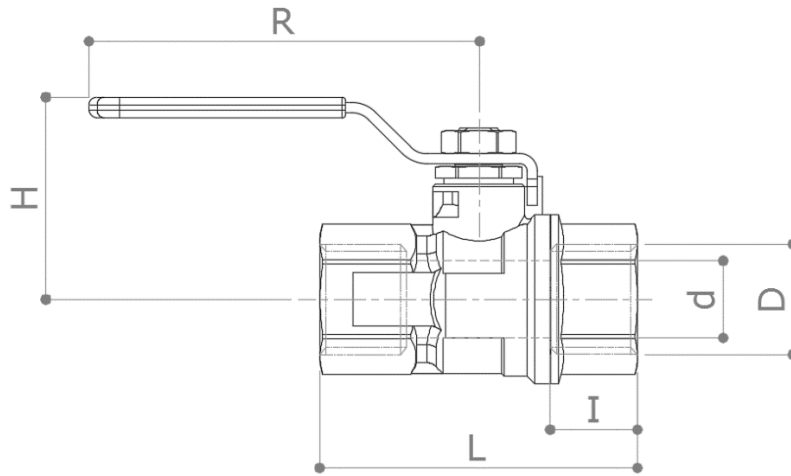
DESCRIPTION

51EU – 51EUR

F x F heavy duty full-flow ball valve, low lead and nickel emission.
 Reversible green steel handle (51EU) and red (51EUR). Available on demand with blue handle (51EUB).
 Anti-legionella ball with additional bore on the bottom to avoid water stagnation in the space between the ball and the body.

Conform to EN 13828

DIMENSIONS



D	¼"	3/8"	½"	¾"	1"	1 ¼"	1 ½"	2"	2 ½"	3"	4"
d	10	10	15	20	25	32	40	50	63	76	100
H	36	36	39	49	61	66	82	89	120	135	150
I	11.5	12	17	18	21.5	23.5	23.5	28	32	34.5	42
L	46	47	62	69	84	96	106	127	154	180	220
R	75	75	75	95	120	120	150	150	200	200	250
Weight [g]	145	145	230	370	660	1000	1380	2220	3860	5940	11300

Dimensions in mm

All threads are conform to ISO 7 or ISO 228 standards

MATERIALS

- Body** CW617N (EN 12165) CuZn40Pb2 T.E.A. Plus plated
- Ball** CW617N (EN 12165) CuZn40Pb2 T.E.A. Plus plated
- Stem** CW614N (EN 12164) CuZn39Pb3
- Stuffing box** CW614N (EN 12164) CuZn39Pb3 Adjustable
- Seat** 2 x PTFE + 1 x PTFE seal on the stem
- O-Rings** 2 x FKM
- Handle** Delta Protect coated steel. PVC grip with "Pad printing"

APPROVALS



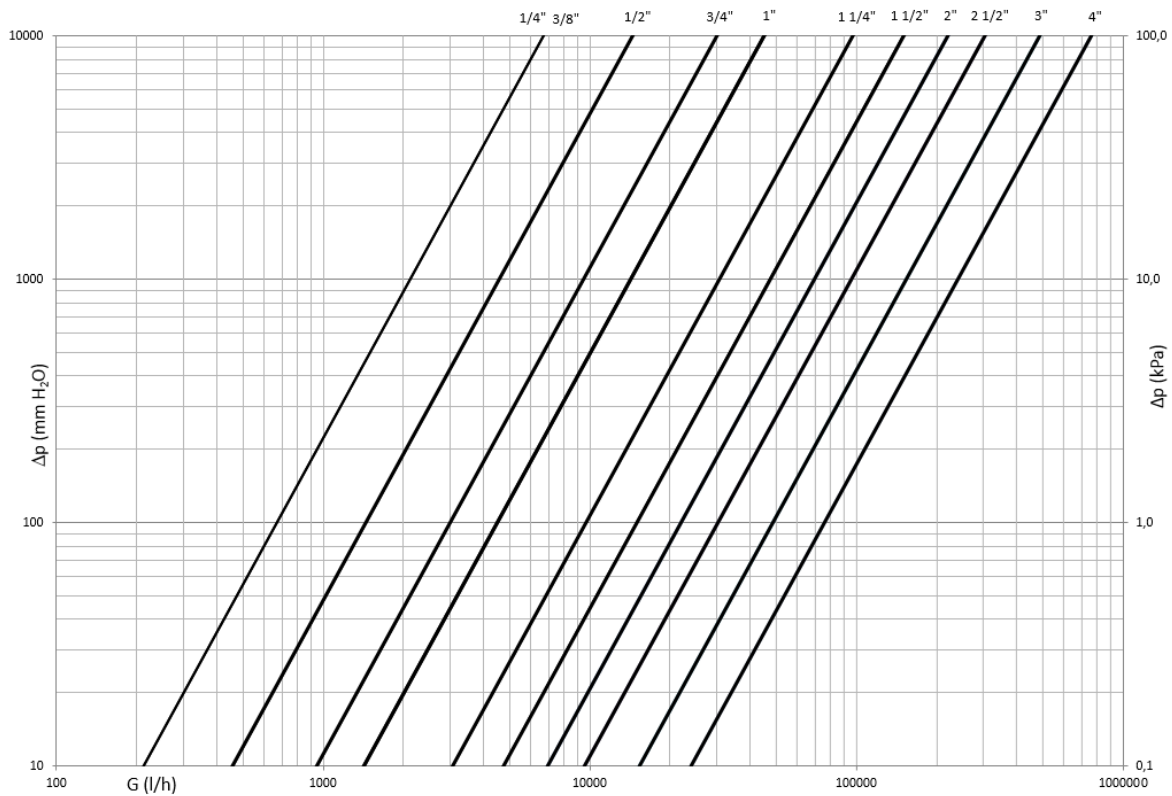
Certificate n° 03/00171 (51EU ¼" to 2")



(1/2" – 2")

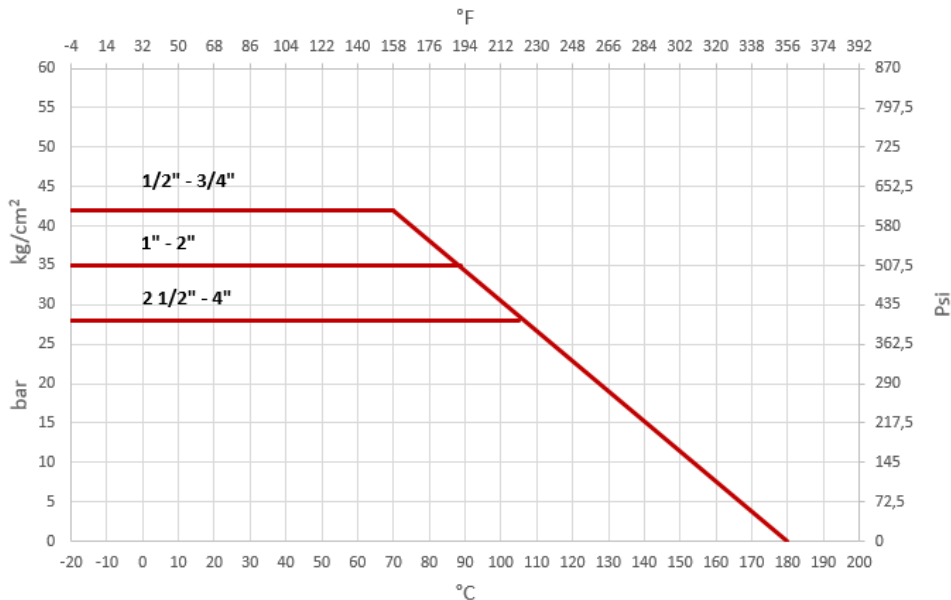


PRESSURE DROP DIAGRAM



Dim.	¼"	3/8"	½"	¾"	1"	1 ¼"	1 ½"	2"	2 ½"	3"	4"
Kv	6.6	6.7	14.5	30	45	97	150	220	302	486	758
PN	42	42	42	42	35	35	35	35	28	28	28

TEMPERATURE / PRESSURE DIAGRAM



RECOMMENDED WORKING TEMPERATURE/PRESSURE LIMITS

- 30 bar – 100°C – non shock
- 10 bar – 150°C – non shock
- 20°C: lower temperature limit with 50% glycol. No frost