

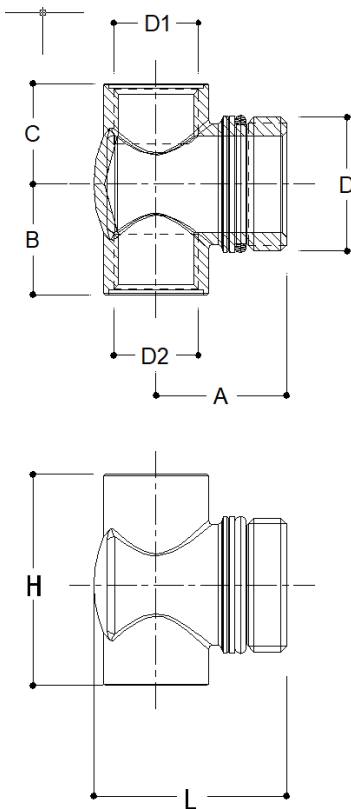


DESCRIPTION

# 070M

Terminal connection unit M x F x F. Suitable for brass manifolds 7000PM – 7035M -7035TEM – 7035DM – 7035TDM – 7035TO – 7000PMT. Male thread with sealant material

DIMENSIONS



	¾" x ½" x ⅜"	¾" x ½" x ½"	1" x ½" x ⅜"	1" x ½" x ½"	1 ¼" x ½" x ½"
<b>D</b>	¾" G	¾" G	1" G	1" G	1 ¼" G
<b>D1</b>	½" Rp	½" Rp	½" Rp	½" Rp	½" Rp
<b>D2</b>	⅜" Rp	½" Rp	⅜" Rp	½" Rp	½" Rp
<b>H</b>	47.5	47.5	52.5	52.5	56
<b>L</b>	44	44	49	49	51
<b>A</b>	29	29	32.5	32.5	32.5
<b>B</b>	22.5	22.5	25	25	28
<b>C</b>	25	25	27.5	27.5	28
<b>Weight [g]</b>	120	110	160	140	190

Dimensions in mm

MATERIALS

**Body** CW617N (EN 12165) CuZn40Pb2 / C37700

**O-Rings** EPDM