



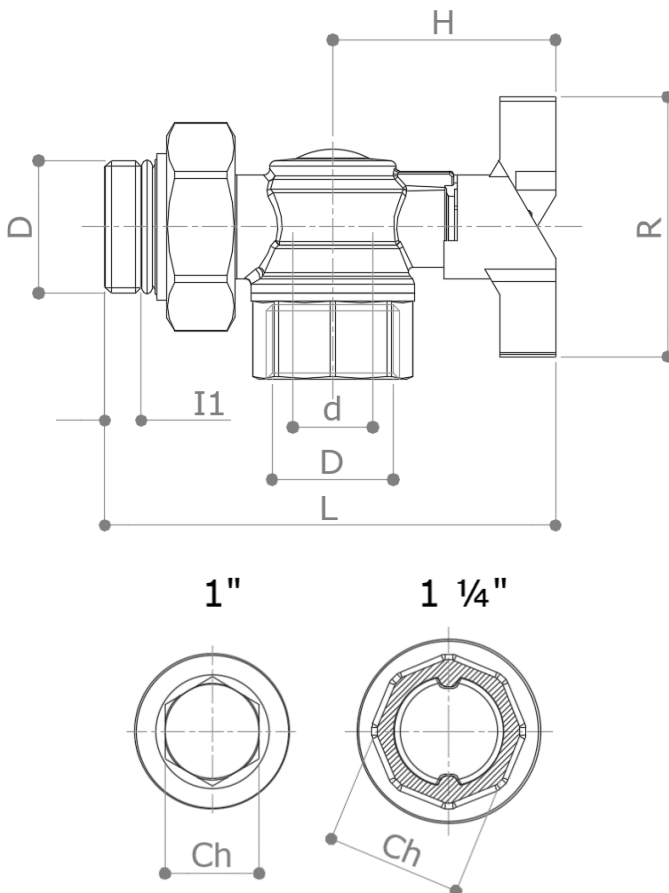
DESCRIPTION

59X/3

Set of 2 F x Union angle ball valve for manifolds **7035** and **K7500** with butterfly handle. Union end with sealing O-Ring.

Red and blue butterfly handle.

DIMENSIONS



D	1"	1 ¼"
d	20	20
H	56	56
I	18.5	18.5
I1	10	10
L	115.5	132
R	65	65
Ch	24	34
Weight [g]	1000	1235

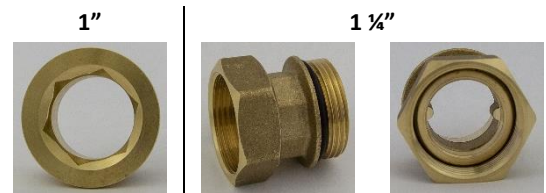
Dimensions in mm

All threads are conformed to ISO 7 or ISO 228 standards
Weight of the whole set (2 valves and unions).

Union 1" can be screwed into the manifold with a 24 mm Allen Key or the Pettinaroli key **01007** (not included).

Union 1 ¼" can be installed by means of a 34 mm spanner or a dedicated union key.

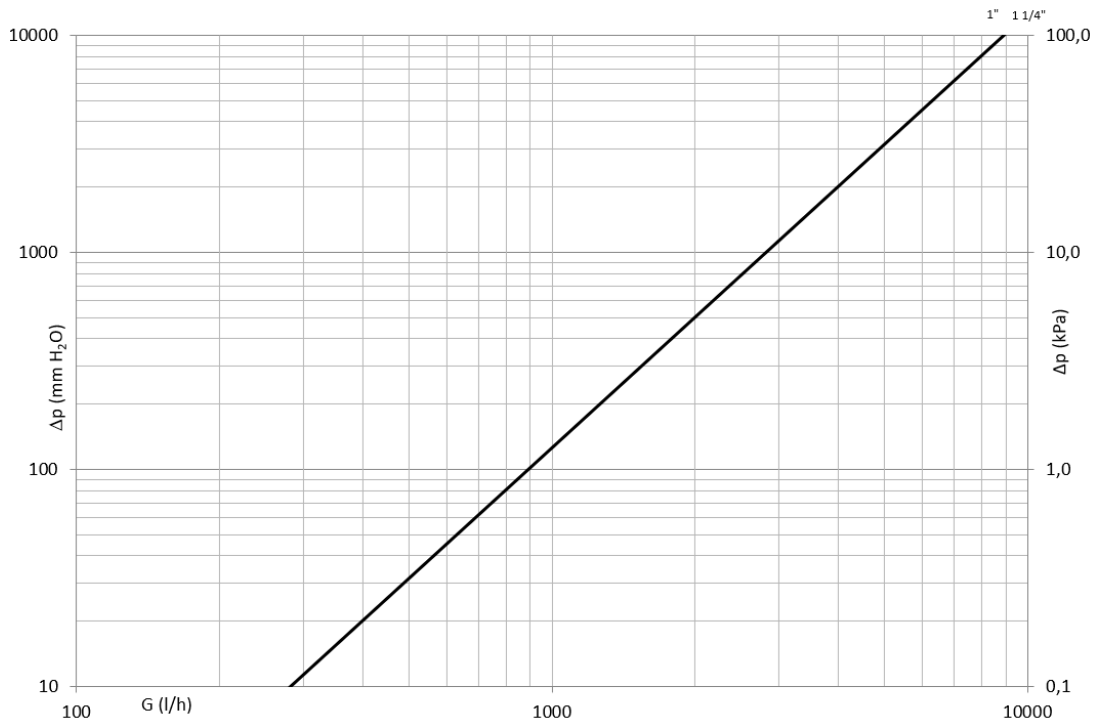
See drawings beside and pictures below.



MATERIALS

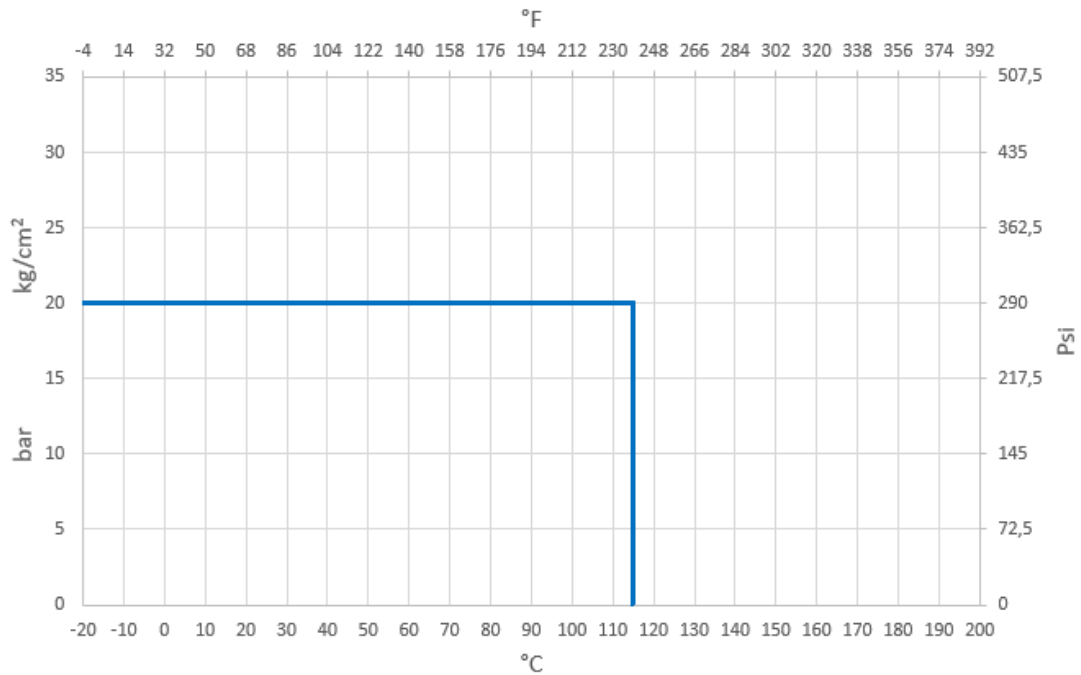
- Body** CW617N (EN 12165) CuZn40Pb2
- Ball** CW617N (EN 12165) CuZn40Pb2 TEA plated
- Union** CW614N (EN 12164) CuZn39Pb3 (1") and CW617N (EN 12165) CuZn40Pb2 (1 ¼")
- Nut** CW617N (EN 12165) CuZn40Pb2
- Stem** CW614N (EN 12164) CuZn39Pb3
- Stuffing box** CW614N (EN 12164) CuZn39Pb3 Adjustable
- Seat** 2 x PTFE + 1 x PTFE on the stem
- O-Rings** 2 x FKM + EPDMx on the union
- Gasket** EPDM
- Lever** Painted aluminum

PRESSURE DROP DIAGRAM



Dim.	1"	1 1/4"
Kv	8.9	8.9
PN	20	20

TEMPERATURE / PRESSURE DIAGRAM



RECOMMENDED WORKING TEMPERATURE/PRESSURE LIMITS

20 bar – 115°C – non shock